

4

3

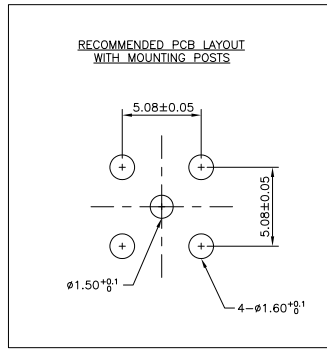
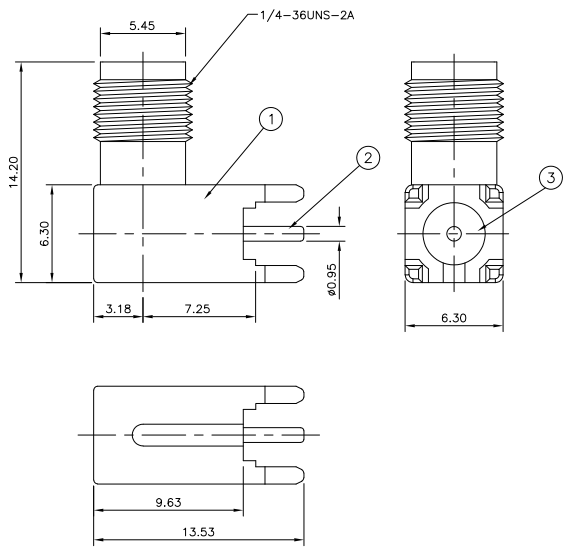
2

1

THIS DRAWING IS UNPUBLISHED. RELEASED FOR PUBLICATION JUNE, 2004.  
 © COPYRIGHT 2004 BY TYCO ELECTRONICS CORPORATION. ALL RIGHTS RESERVED.

LOC		DIST		REVISIONS			
P	LTR	DESCRIPTION		DATE	DWN	APVD	
	C	REVISED PER ECO-09-003420		17MAR09	ANS	BOB	

- NOTES**
- 1 SINGLE PACK IN ACCORDANCE WITH AMP SPEC 107-3275
  - 2 100 TRAY PACK IN ACCORDANCE WITH AMP SPEC 107-3275
  - 3 Au PLATING
  - 4. FOR TECHNICAL DATA REFER TO YOUR LOCAL TYCO ELECTRONICS SALES OFFICE
  - 5. ALL DIMENSIONS ARE NOMINAL FOR REFERENCE ONLY UNLESS OTHERWISE STATED



QTY	DESCRIPTION	MATERIAL	DESCRIPTION	ITEM
1	1	PTFE	INSULATOR	3
1	1	BERYLLIUM COPPER	CONTACT	2
1	1	ZINC ALLOY	BODY	1
5	15	0	MATERIAL	DESCRIPTION

THIS DRAWING IS A CONTROLLED DOCUMENT.

DWN	ANSON MA	17MAR09	Tyco Electronics Corporation	
CHK	RITA ZUO	17MAR09	Kunshan, Jiangsu, PRC215312	
APVD	BOB ZHAO	17MAR09	NAME	
PRODUCT SPEC			SMA RIGHT ANGLE PCB SOCKET DIE CAST	
APPLICATION SPEC			-	
WEIGHT			SIZE	RESTRICTED TO
-			A3	-
MATERIAL			CAGE CODE	DRAWING NO
SEE TABLE			00779	1814400
FINISH			SCALE	SHEET
-			NTS	1 OF 1
CUSTOMER DRAWING			REV	C