

4

3

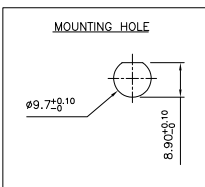
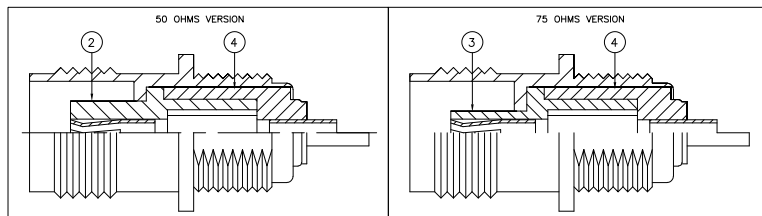
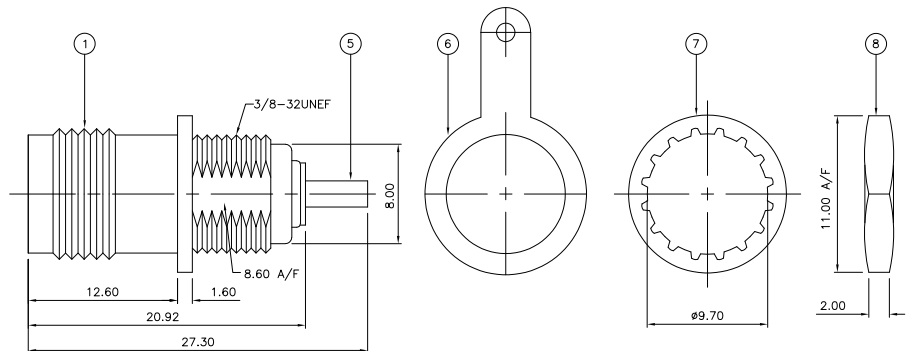
2

1

THIS DRAWING IS UNPUBLISHED. RELEASED FOR PUBLICATION AUGUST, 2006.
 COPYRIGHT 2006 BY TYCO ELECTRONICS CORPORATION. ALL RIGHTS RESERVED.

LOC	DIST	REVISIONS			
P	LTR	DESCRIPTION	DATE	DWN	APVD
E	B				
	B	ECO-09-003420	11 Mar 09	RITA	BOB

- NOTES:
- 1 PACK IN ACCORDANCE WITH AMP SPEC 107-3275
 - 2 100 TRAY PACK IN ACCORDANCE WITH AMP SPEC 107-3275
 - 3 Au PLATING
 - 4 Ni PLATING
 - 5 FOR TECHNICAL DATA REFER TO YOUR LOCAL TYCO ELECTRONICS SALES OFFICE
 - 6 ALL DIMENSIONS ARE NOMINAL FOR REFERENCE ONLY UNLESS OTHERWISE STATED



QTY	1	1	1	1	MATERIAL	DESCRIPTION	ITEM
1	1	1	1	1	STEEL	HEXAGONAL NUT	8
1	1	1	1	1	STEEL	LOCKWASHER	7
1	1	1	1	1	BRASS	SOLDER TAG	6
1	1	1	1	1	PHOSPHOR BRONZE	CONTACT	5
1	1	1	1	1	PTFE	INSULATION	4
1	1	-	-	-	PTFE	INSULATION	3
-	-	1	1	1	PTFE	INSULATION	2
1	1	1	1	1	ZINC	BODY	1
5--3	5--2	5--1	5--0		MATERIAL	DESCRIPTION	ITEM
1	1	1	1	1			

THIS DRAWING IS A CONTROLLED DOCUMENT.

DIMENSIONS: MM	TOLERANCES UNLESS OTHERWISE SPECIFIED:	DWN RITA ZUO 11 Mar 09	11 Mar 09
0 PLC ± .05	1 PLC ± .02	CHK ANSON MA 11 Mar 09	11 Mar 09
2 PLC ± .02	3 PLC ± .02	APVD BOB ZHAO 11 Mar 09	11 Mar 09
4 BCC ± .02	ANGLES ± .02	NAME	
MATERIAL SEE TABLE	FINISH	Tyco Electronics Tyco Electronics Corporation Kunshan, Jiangsu, PRC 215312	
		TNC BULKHEAD SOCKET FRONT MOUNT 50 & 75 OHM	
		PRODUCT SPEC 108-112000	RESTRICTED TO
		APPLICATION SPEC	
		WEIGHT	SIZE CAGE CODE DRAWING NO
			A3 00779 C-1814804
		CUSTOMER DRAWING	SCALE NTS SHEET 1 OF 1 REV B