

4

3

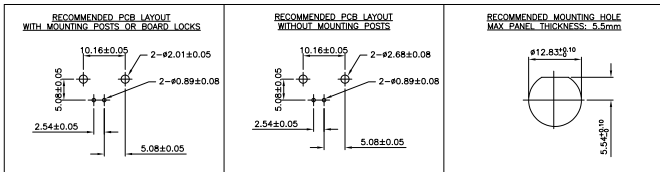
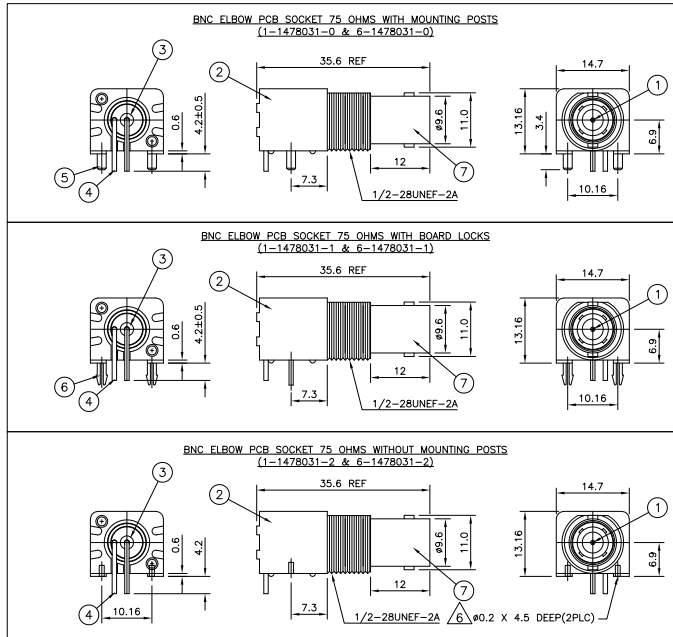
2

1

THIS DRAWING IS UNPUBLISHED. RELEASED FOR PUBLICATION AUGUST 2005.
 © COPYRIGHT 2005 BY TYCO ELECTRONICS CORPORATION. ALL RIGHTS RESERVED.

LOC	DIST	REVISIONS		DATE	BY	APP'D
E	B	F	LR			
		C	ECO-09-003420	05 Mar 09	RITA	BOB

- NOTES:
- 1. SINGLE PACK IN ACCORDANCE WITH AMP SPEC 107-3275
 - 2. 50 TRAY PACK IN ACCORDANCE WITH AMP SPEC 107-3275
 - 3. Au PLATING OVER Ni PLATING OVER Cu PLATING
 - 4. Ni PLATING OVER Cu PLATING
 - 5. TIN PLATING
 - 6. RECOMMENDED SELF-TAPPING SCREW 221108-4
 - 7. RECOMMENDED MOUNT NUT 1-1634816-0
 - 8. RECOMMENDED LOCKWASHER 1-1634817-0
 - 9. FOR TECHNICAL DATA REFER TO YOUR LOCAL TYCO ELECTRONICS SALES OFFICE
 - 10. ALL DIMENSIONS ARE NOMINAL FOR REFERENCE ONLY UNLESS OTHERWISE STATED



QTY	DESCRIPTION	MATERIAL	DESCRIPTION	ITEM				
1	1	1	1	1	ZINC DIECAST	BOARD BODY	7	
-	-	2	2	-	BRASS	BOARD LOCK	6	
-	-	-	2	2	BRASS	MOUNTING POST	5	
1	1	1	1	1	BRASS	SOLDER TAIL	4	
1	1	1	1	1	PE-606	INSULATOR	3	
1	1	1	1	1	PBT WHITE	HOUSING	2	
1	1	1	1	1	BRASS	CONTACT	1	
6-2	1-2	6-1	1-1	6-0	1-0	MATERIAL	DESCRIPTION	ITEM

THIS DRAWING IS A CONTROLLED DOCUMENT.

DRW	RITA ZUO	05 Mar 09	Ytyco Electronics	Ytyco Electronics Corporation
CHK	ANSON MA	05 Mar 09		Kunshan, Jiangsu, PRC 215312
APP'D	BOB ZHAO	05 Mar 09		
PRODUCT SPEC	108-112000			
APPLICATION SPEC				
WEIGHT			SIZE	00779
			DATE	1478031
MATERIAL	SEE TABLE		SCALE	NTS
FINISH	SEE TABLE		SHEET	1 OF 1
			REV	C

CUSTOMER DRAWING