

4

3

2

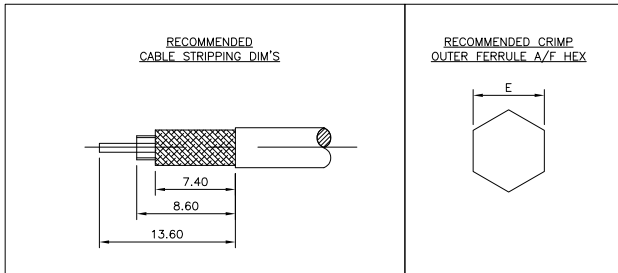
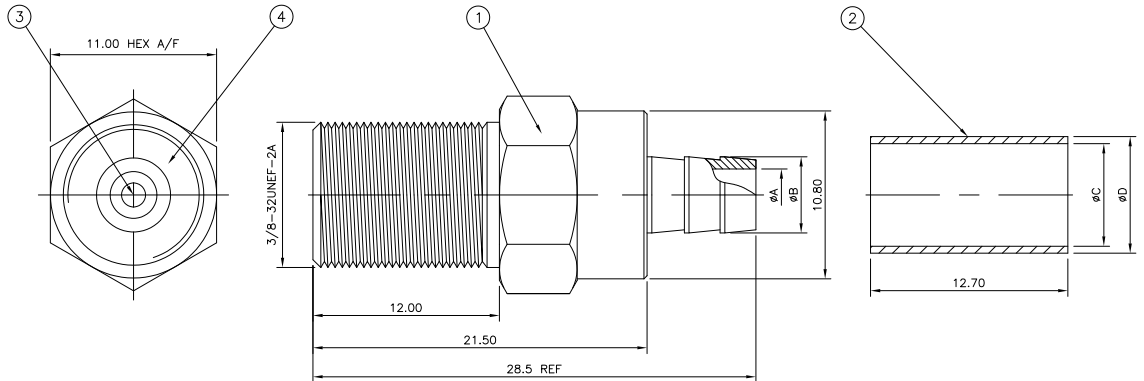
1

THIS DRAWING IS UNPUBLISHED. RELEASED FOR PUBLICATION NOV. 2006.
 © COPYRIGHT 2006 BY TYCO ELECTRONICS CORPORATION. ALL RIGHTS RESERVED.

| LOC | DIST | REVISIONS | | | |
|-----|------|---------------------------|---------|-----|------|
| P | LTR | DESCRIPTION | DATE | DWN | APVD |
| | B | REVISED PER ECO-09-003420 | 14FEB09 | ANS | BOB |

- NOTES**
- 1 SINGLE PACK IN ACCORDANCE WITH AMP SPEC 107-3275
 - 2 100 TRAY PACK IN ACCORDANCE WITH AMP SPEC 107-3275
 - 3 NI PLATING
 - 4 TIN PLATING
5. FOR TECHNICAL DATA REFER TO YOUR LOCAL TYCO ELECTRONICS SALES OFFICE
6. ALL DIMENSIONS ARE NOMINAL FOR REFERENCE ONLY UNLESS OTHERWISE STATED

| Part No. | QTY | DESCRIPTION | DATE | DWN | APVD | | |
|-------------|------|-------------|------|------|------|--|-------------|
| 9-1478243-0 | 8.30 | 9.30 | 8.30 | 7.00 | 5.70 | CT125 | 5-1814826-7 |
| 9-1478243-0 | 8.30 | 9.30 | 8.30 | 7.00 | 5.70 | CT125 | 5-1814826-6 |
| 9-1478242-0 | 6.50 | 7.50 | 6.70 | 5.60 | 4.60 | CT100 | 5-1814826-5 |
| 9-1478242-0 | 6.50 | 7.50 | 6.70 | 5.60 | 4.60 | CT100 | 5-1814826-4 |
| 9-1478243-0 | 8.60 | 9.60 | 8.70 | 6.80 | 4.85 | RG6/U | 5-1814826-3 |
| 9-1478243-0 | 8.60 | 9.60 | 8.70 | 6.80 | 4.85 | RG6/U | 5-1814826-2 |
| 9-1478242-0 | 6.50 | 7.50 | 6.80 | 4.90 | 3.90 | RG59B/U, 62A/U, 140/U, 210/U, URM90, Belden 9291, 9291, KX6A, KX25, KX52, KX53 | 5-1814826-1 |
| 9-1478242-0 | 6.50 | 7.50 | 6.60 | 4.90 | 3.90 | RG59B/U, 62A/U, 140/U, 210/U, URM90, Belden 9291, 9291, KX6A, KX25, KX52, KX53 | 5-1814826-0 |
| DIE SET | | E | D | C | B | A | PART NO. |



| QTY | DESCRIPTION | ITEM |
|-----|---------------|-----------|
| 1 | POLYPROPYLENE | INSULATOR |
| 1 | BRASS | CONTACT |
| 1 | ZINC ALLOY | FERRULE |
| 1 | BRASS | BODY |

THIS DRAWING IS A CONTROLLED DOCUMENT.

DWN ANSON MA 14FEB09
 CHK RITA ZUO 14FEB09
 APVD BOB ZHAO 14FEB09

Product: 108-112000

Application Spec: -

Weight: -

Customer Drawing: -

Quantity per Assy: 1

Parts List: 4 INSULATOR, 3 CONTACT, 2 FERRULE, 1 BODY

Scale: NTS

Sheet: 1 of 1

Rev: B