

4

3

2

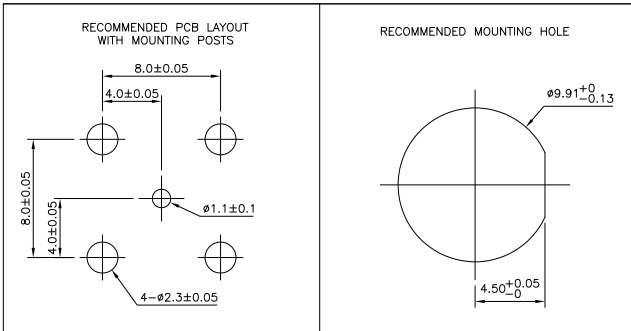
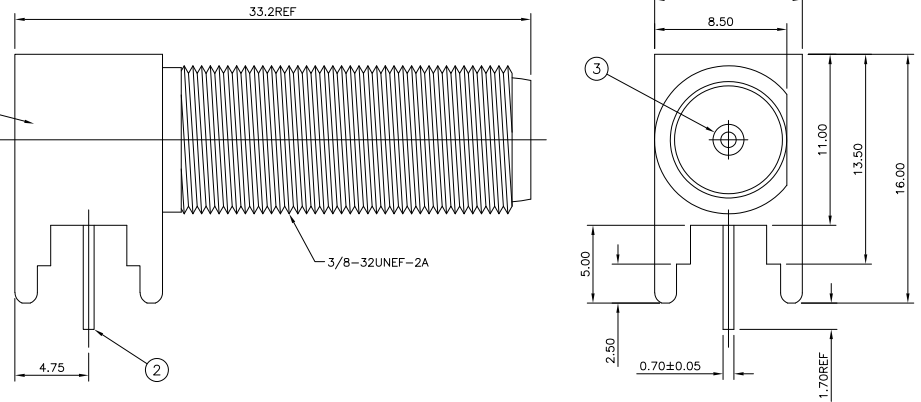
1

THIS DRAWING IS UNPUBLISHED. RELEASED FOR PUBLICATION SEP, 2004.
 © COPYRIGHT 2004 BY TYCO ELECTRONICS CORPORATION. ALL RIGHTS RESERVED.

| LOC | | DIST | | REVISIONS | | | |
|-----|-----|---------------------------|--|-----------|-----|------|--|
| P | LTR | DESCRIPTION | | DATE | DWN | APVD | |
| D | | REVISED PER ECO-09-018316 | | 07AUG2009 | ANS | BOB | |

NOTES

- 1. 100 TRAY PACK IN ACCORDANCE WITH AMP SPEC 107-3275
- 2. SINGLE PACK IN ACCORDANCE WITH AMP SPEC 107-3275
- 3. 1.27um TIN PLATING OVER 0.76um Cu PLATING
- 4. 1.27um Ni PLATING OVER 0.76um Cu PLATING
- 5. FOR TECHNICAL DATA REFER TO YOUR LOCAL TYCO ELECTRONICS SALES OFFICE
- 6. ALL DIMENSIONS ARE NOMINAL FOR REFERENCE ONLY UNLESS OTHERWISE STATED



| QTY | DESCRIPTION | MATERIAL | DESCRIPTION | ITEM |
|------|-------------|-------------|-------------|-------------|
| 1 | 1 | TPX | INSULATOR | 3 |
| 1 | 1 | PHOS BRONZE | CONTACT | 2 |
| 1 | 1 | ZINC ALLOY | BODY | 1 |
| 5--1 | 5--0 | | MATERIAL | DESCRIPTION |

| | | | | | | | |
|--|--|------------------|----------|------------------|-----------------------------|---------------|--|
| THIS DRAWING IS A CONTROLLED DOCUMENT. | | DWN | ANSON MA | 14FEB09 | Tyco Electronics | | Tyco Electronics Corporation |
| DIMENSIONS: mm | | CHK | RITA ZUO | 14FEB09 | Kunshan, Jiangsu, RPC215312 | | |
| TOLERANCES UNLESS OTHERWISE SPECIFIED: | | APVD | BOB ZHAO | 14FEB09 | NAME | | F SERIES CONNECTOR ELBOW JACK PCB EXTENDED |
| 0 PLC ± 0.5 | | PRODUCT SPEC | | SIZE | | CAGE CODE | DRAWING NO |
| 1 PLC ± 0.3 | | APPLICATION SPEC | | 108-112000 | | 00779 | 1634552 |
| 2 PLC ± 0.2 | | MATERIAL | | WEIGHT | | RESTRICTED TO | |
| 3 PLC ± - | | FINISH | | CUSTOMER DRAWING | | SCALE | |
| 4 PLC ± - | | SEE TABLE | | SEE TABLE | | NTS | |
| ANGLES ± - | | SEE TABLE | | CUSTOMER DRAWING | | SHEET 1 OF 1 | |
| | | | | | | REV D | |