

4

3

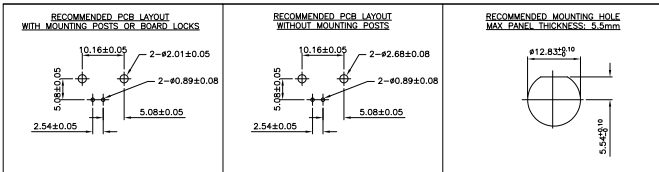
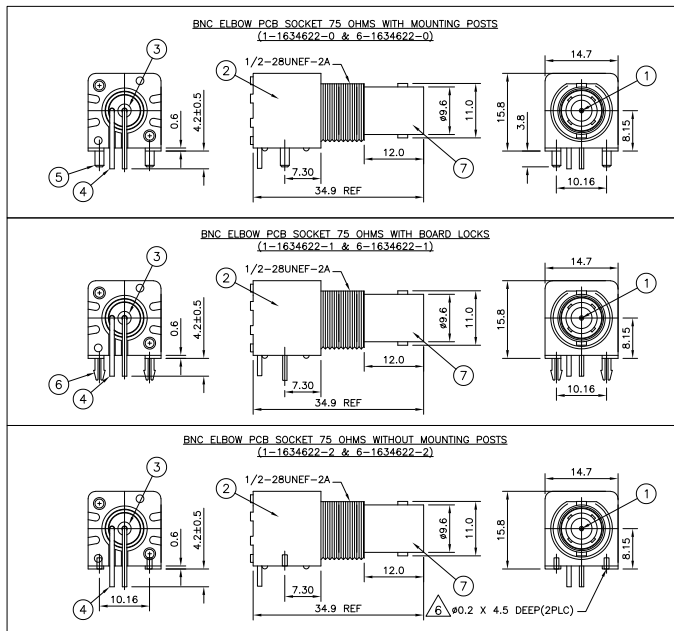
2

1

THIS DRAWING IS UNPUBLISHED. RELEASED FOR PUBLICATION AUGUST, 2005.  
 COPYRIGHT 2005 BY TYCO ELECTRONICS CORPORATION. ALL RIGHTS RESERVED.

LOC	DIST	REVISIONS		DATE	BY	APP'D
E	B	F	LR			
		C	ECO-09-003420	05 Mar 09	RITA	BOB

- NOTES:
- △ SINGLE PACK IN ACCORDANCE WITH AMP SPEC 107-3275
  - △ 50 TRAY PACK IN ACCORDANCE WITH AMP SPEC 107-3275
  - △ GOLD PLATING
  - △ NICKEL PLATING
  - △ TIN PLATING
  - △ RECOMMENDED SELF-TAPPING SCREW 221108-4
  - 7. RECOMMENDED MOUNT NUT 1-1634816-0
  - 8. RECOMMENDED LOCKWASHER 1-1634817-0
  - 9. FOR TECHNICAL DATA REFER TO YOUR LOCAL TYCO ELECTRONICS SALES OFFICE
  - 10. ALL DIMENSIONS ARE NOMINAL FOR REFERENCE ONLY UNLESS OTHERWISE STATED



QTY	DESCRIPTION	MATERIAL	DESCRIPTION	ITEM				
1	1	1	1	1	ZINC DIECAST	△ BODY	7	
-	-	2	2	-	BRASS	△ BOARD LOCK	6	
-	-	-	2	2	BRASS	△ MOUNTING POST	5	
1	1	1	1	1	BRASS	△ SOLDER TAIL	4	
1	1	1	1	1	PC-RO6	△ INSULATOR	3	
1	1	1	1	1	PBT BLACK	HOUSING	2	
1	1	1	1	1	BRASS	△ CONTACT	1	
6-2	1-2	6-1	1-1	6-0	1-0	MATERIAL	DESCRIPTION	ITEM

THIS DRAWING IS A CONTROLLED DOCUMENT.

DRW: RITA ZUO 05 Mar 09	CHK: ANSON MA 05 Mar 09	APD: BOB ZHAO 05 Mar 09	NAME: BNC R/A INSULATED PCB SOCKET 75 OHM BLACK
DIMENSIONS: MM		PRODUCT SPEC: 108-112000	APPLICATION SPEC: -
MATERIAL: SEE TABLE		FINISH: SEE TABLE	WEIGHT: -
CUSTOMER DRAWING		SCALE: NTS	SHEET: 1 OF 1

TYCO ELECTRONICS CORPORATION  
Kunshan, Jiangsu, PRC 215312

REVISIONS: 108-112000, A2, 00779, C=1634622