

4

3

2

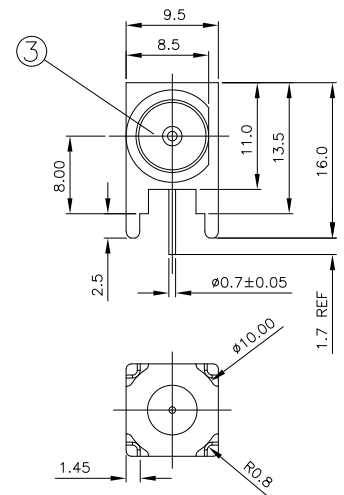
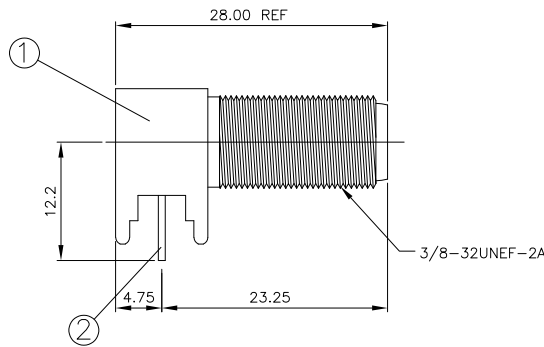
1

THIS DRAWING IS UNPUBLISHED. RELEASED FOR PUBLICATION MAR, 2004.  
 © COPYRIGHT 2004 BY TYCO ELECTRONICS CORPORATION. ALL RIGHTS RESERVED.

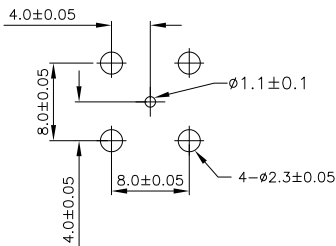
LOC		DIST		REVISIONS			
P	LTR	DESCRIPTION		DATE	DWN	APVD	
B1		REVISED PER ECO-10-015281		26JUL10	AM	RITA	

NOTES

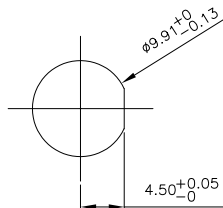
- ① 100 TRAY PACK IN ACCORDANCE WITH AMP SPEC 107-3275
- ② SINGLE PACK IN ACCORDANCE WITH AMP SPEC 107-3275
- ③ 1.27μm TIN PLATING OVER 0.76μm Cu PLATING
- ④ 1.27μm Ni PLATING OVER 0.76μm Cu PLATING
- ⑤ PACK 100 PCS IN A PLASTIC BAG



RECOMMENDED PCB LAYOUT WITH MOUNTING POSTS



RECOMMENDED MOUNTING HOLE



QTY	DESCRIPTION	MATERIAL	DESCRIPTION	ITEM
1	1	1	POLYETHYLENE	INSULATOR 3
1	1	1	PHOS BRONZE	CONTACT 2
1	1	1	ZINC ALLOY	BODY 1
5--2	5--1	5--0	MATERIAL	DESCRIPTION

THIS DRAWING IS A CONTROLLED DOCUMENT.

DWN ANSON MA 14FEB09	Tyco Electronics Corporation Kunshan, Jiangsu, RPC215312
CHK RITA ZUO 14FEB09	
APVD BOB ZHAO 14FEB09	NAME
PRODUCT SPEC	
108-112000	
APPLICATION SPEC	
WEIGHT	
SIZE CAGE CODE DRAWING NO	
A3 00779 C-1634540	
RESTRICTED TO	
CUSTOMER DRAWING	
SCALE NTS	SHEET 1 OF 1
REV B1	