

4

3

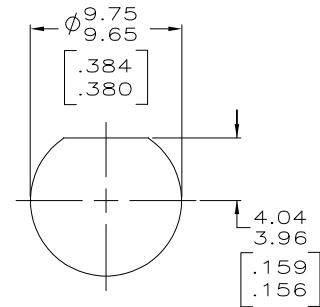
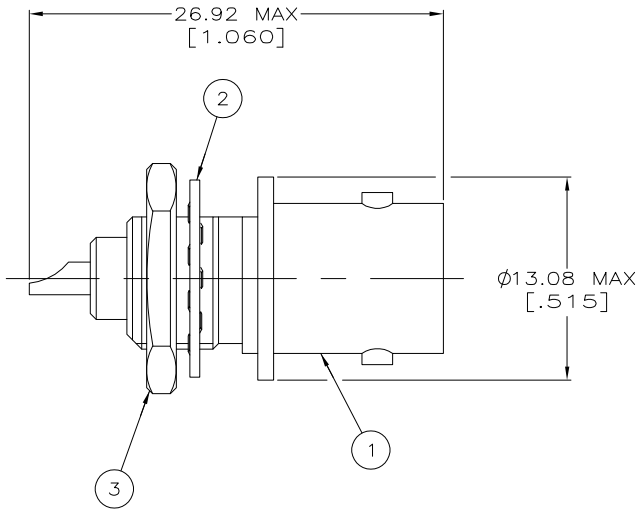
2

1

THIS DRAWING IS UNPUBLISHED. RELEASED FOR PUBLICATION
 © COPYRIGHT - BY TYCO ELECTRONICS CORPORATION. ALL RIGHTS RESERVED.

LOC	DIST	REVISIONS			
P	LTR	DESCRIPTION	DATE	DWN	APVD
AJ	16	A	REVISED PER EC OS14-0150-05	30AUG05	BM JL

1. 3.175 [.125] MAX PANEL THICKNESS.



RECOMMENDED PANEL CUTOUT

1-330249-1	1-329492-1	227756-3	5227754-3
1-330249-1	1-329492-1	227756-2	5227754-2
1-330249-1	1-329492-1	227756-1	5227754-1
③ JAM NUT QTY=1	② LOCKWASHER QTY=1	① JACK ASSY QTY=1	PART NUMBER

THIS DRAWING IS A CONTROLLED DOCUMENT.		DWN L. VARELA - DOCKS 21APR2005	Tyco Electronics Corporation Harrisburg, Pa 17105-3608	
DIMENSIONS: mm [INCHES]	TOLERANCES UNLESS OTHERWISE SPECIFIED:	CHK J. HAVENER 21APR2005	Tyco Electronics	
	0 PLC ± -	APVD J. LIPPERT 21APR2005	NAME SOLDER JACK, 50 OHM SERIES BNC	
	1 PLC ± -	PRODUCT SPEC 108-12079	SIZE A3	CAGE CODE 00779
	2 PLC ± -	APPLICATION SPEC	DRAWING NO 5227754	RESTRICTED TO
	3 PLC ± -		WEIGHT	
4 PLC ± -				
ANGLES ± -				
MATERIAL	FINISH	CUSTOMER DRAWING	SCALE 4:1	SHEET 1 OF 1
				REV A