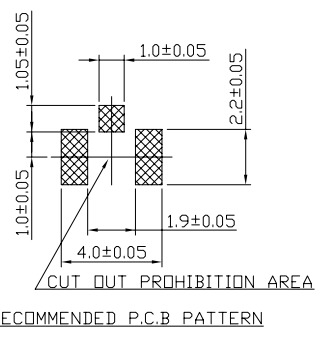
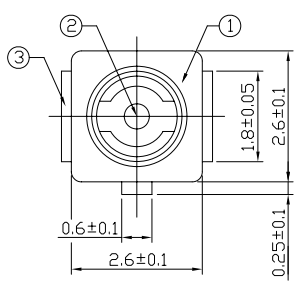
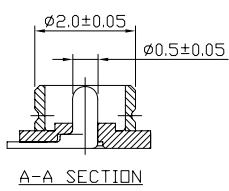
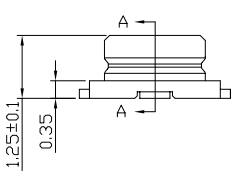


THIS DRAWING IS UNPUBLISHED. RELEASED FOR PUBLICATION AUG. 2006.  
 © COPYRIGHT 2009 BY TYCO ELECTRONICS CORPORATION. ALL RIGHTS RESERVED.

LOC	DIST	REVISIONS			
P	LTR	DESCRIPTION	DATE	DWN	APVD
DW	-	A1	REVISED (ECR-10-025501)	13DEC10	SC WK

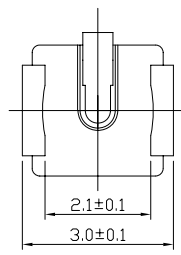


**SPECIFICATIONS:**  
**MECHANICAL CHARACTERISTICS:**  
 MATING/UNMATING--30 CYCLES  
**ELECTRICAL CHARACTERISTICS:**  
 IMPEDANCE--50 OHMS  
 FREQUENCY RANGE--0-6 GHz (VSWR--1.3 MAX.)  
 OPERATING VOLTAGE--60 VAC RMS  
 CONTACT RESISTANCE--CENTER CONTACT=20 MILLIOHMS MAX.  
 OUTER CONTACT=10 MILLIOHMS MAX.  
 DIELECTRIC WITHSTANDING VOLTAGE--200 VAC FOR 1 min.  
 CURRENT LEAKAGE 2mA MAX.  
 INSULATION RESISTANCE--500 MEGOHMS MIN.  
**ENVIRONMENTAL CHARACTERISTICS:**  
 TEMPERATURE RANGE-- -40°C TO +90°C  
**MATERIAL & FINISH:**  
 HOUSING--LCP, UL(94V-0).  
 GROUND CONTACT: BRASS--GOLD FLASH WITH UNDERPLATED  
 50u" MIN. NICKEL.  
 CENTER CONTACT: BRASS--GOLD FLASH WITH UNDERPLATED  
 50u" MIN. NICKEL.  
 RoHS 2002/95/EC COMPLIANT.



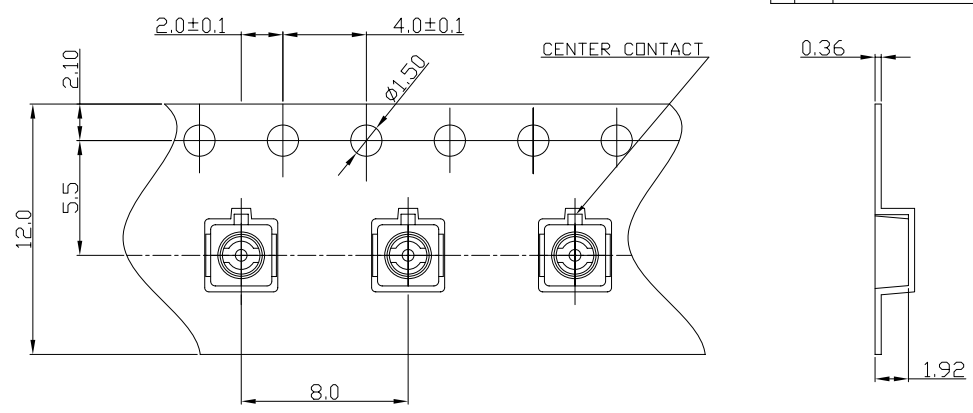
1566230-2	500PCS/PE BAG	3 OF 3
1566230-1	2500PCS/REEL	2 OF 3
P/N	PACKING	PAGE

QTY	U/M	PART NO.	DESCRIPTION	ITEM NO.
1	EA	1-1566230-3	GROUND CONTACT, BRASS WITH GOLD PLATING	3
1	EA	1-1566230-2	CENTER CONTACT, BRASS WITH GOLD PLATING	2
1	EA	1-1566230-1	HOUSING, LCP (UL94V-0)	1

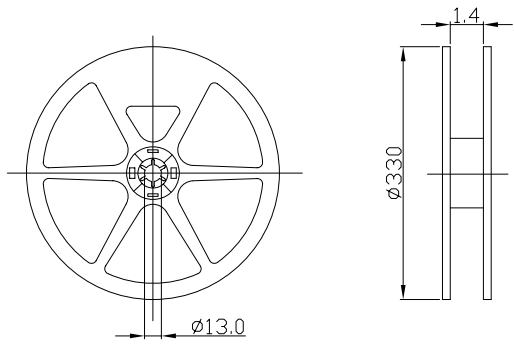


THIS DRAWING IS A CONTROLLED DOCUMENT.

DIMENSIONS: MM	TOLERANCES UNLESS OTHERWISE SPECIFIED: 0 PLC ± - 1 PLC ± - 2 PLC ± - 3 PLC ± - 4 PLC ± - ANGLES ± -	DWN M. TSAI 09OCT2009 CHK J. PI 09OCT2009 APVD J. CHEN 09OCT2009	Tyco Electronics Corporation Taipei, Taiwan
MATERIAL SEE NOTE	FINISH SEE NOTE	NAME PRODUCT SPEC APPLICATION SPEC	NAME MINI RF, SMT RECE.
		SIZE A3	CAGE CODE 00779
		DRAWING NO C-1566230	RESTRICTED TO -
		CUSTOMER DRAWING	SCALE -
		SHEET 1 of 3	REV A1



DIMENSIONS OF TAPING



DIMENSIONS OF REEL (2500 PIECES/REEL)

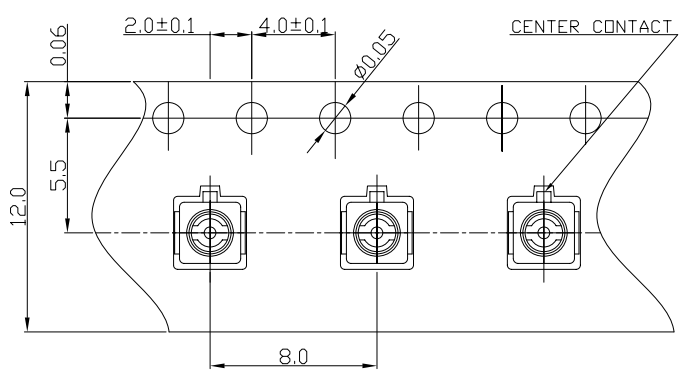
1566230-2	500PCS/PE BAG	3 DF 3
1566230-1	2500PCS/REEL	2 DF 3
P/N	PACKING	PAGE

THIS DRAWING IS A CONTROLLED DOCUMENT.

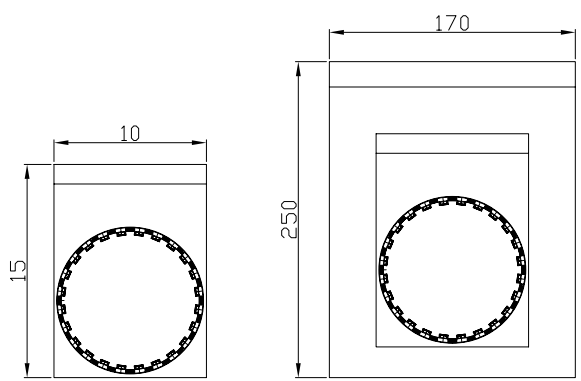
DWN	CHK	APVD	NAME	Tyco Electronics Corporation Taipei, Taiwan		
			MINI RF, SMT RECE.			
DIMENSIONS: MM	TOLERANCES UNLESS OTHERWISE SPECIFIED:	PRODUCT SPEC	SIZE	CAGE CODE	DRAWING NO	RESTRICTED TO
	0 PLC ± -	APPLICATION SPEC	A3	00779	C-1566230	
MATERIAL	FINISH	WEIGHT	CUSTOMER DRAWING		SCALE	SHEET
						2 of 3
						REV A1

THIS DRAWING IS UNPUBLISHED. RELEASED FOR PUBLICATION AUG. 2006.  
 © COPYRIGHT 2009 BY TYCO ELECTRONICS CORPORATION. ALL RIGHTS RESERVED.

LOC	DIST	REVISIONS			
P	LTR	DESCRIPTION	DATE	DWN	APVD
DW		SEE SHEET 1.			



DIMENSIONS OF TAPING



- NOTES:  
 1. 100PCS/SMALL PE BAG. (SEE FIG.1)  
 2. 5 SMALL PE BAGS/LARGE PE BAG. (TOTAL: 500PCS) (SEE FIG.2.)

1566230-2	500PCS/PE BAG	3 OF 3
1566230-1	2500PCS/REEL	2 OF 3
P/N	PACKING	PAGE

THIS DRAWING IS A CONTROLLED DOCUMENT.		DWN	Tyco Electronics Corporation Taipei, Taiwan	
DIMENSIONS: MM		CHK	NAME	
TOLERANCES UNLESS OTHERWISE SPECIFIED:		APVD	MINI RF, SMT RECE.	
0 PLC	±	PRODUCT SPEC	SIZE	CAGE CODE
1 PLC	±	APPLICATION SPEC	A3	00779
2 PLC	±	WEIGHT	DRAWING NO	
3 PLC	±		C=1566230	
4 PLC	±		SCALE	SHEET
ANGLES	±			3 of 3
MATERIAL	FINISH	CUSTOMER DRAWING	REV	A1