

4

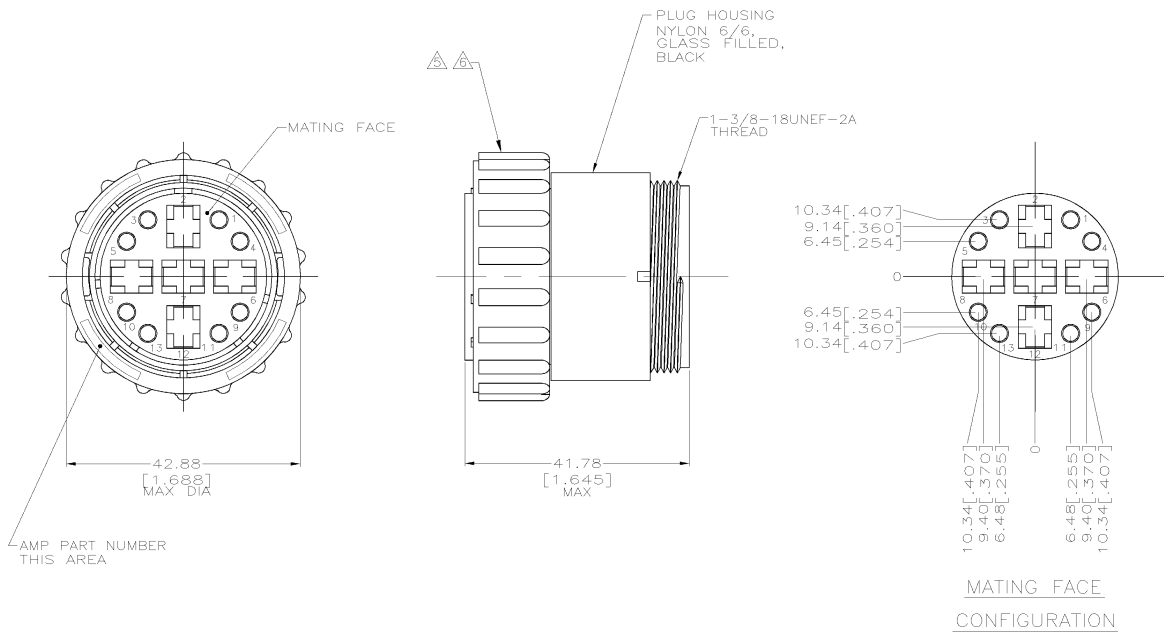
3

2

1

THIS DRAWING IS UNPUBLISHED. RELEASED FOR PUBLICATION
 © 2009 Tyco Electronics Corporation. ALL RIGHTS RESERVED.

LOC	QTY	REV	DESCRIPTION	DATE	BY	APP
FT	0	F	LR			
		D	REVISED PER 0638-0293-02	5/22/02	SS	SH



NOTES:

1. WILL ACCEPT (8) MULTIMATE SOCKETS AND (5) TYPE XII FEMALE CONTACTS.
2. MAX WIRE INSULATION DIAMETERS:
 MULTIMATE 3.43 [.135] MAX DIA.
 TYPE XII 5.59 [.220] MAX DIA.
3. CONTACT CAVITIES IDENTIFIED BY CHARACTERS ON FRONT AND REAR
 FACES OF CONNECTOR.
4. THIS PLUG ASSEMBLY MATES WITH RECEPTACLE 211825-1.

- △ COUPLING RING: POLYESTER, BLACK
- △ COUPLING RING: NORYL, BLACK

211824-2
211824-1
PART NUMBER

THIS DRAWING IS A CONTROLLED DOCUMENT		DRW K. COLTZ 04/04/05	tyco Electronics Tyco Electronics Corporation Harrisburg, PA 17105
DIMENSIONS: INCHES		CHK S. STONE 04/05/05	
MATERIAL: SEE CALLOUT		TITLE PLUG ASSEMBLY PRODUCT SPEC APPLICATION SPEC: WEIGHT:	SEE CASE CODE DRAWING NO A2 00779
CUSTOMER DRAWING		SCALE: 2:1	RESTRICTED TO: -

AMP 1421-9 REV 31MAR0000

H:\vdm_mod\

2118241824

A