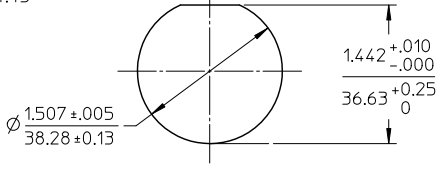
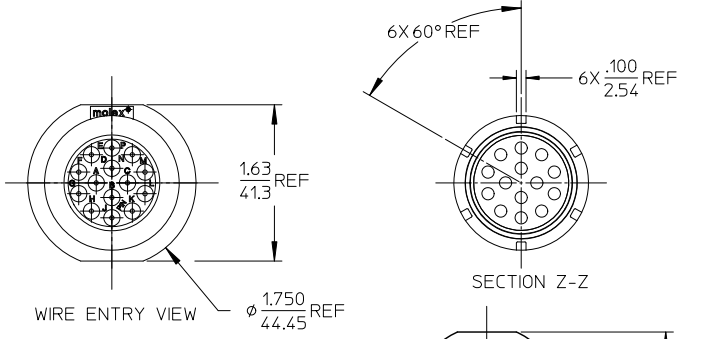
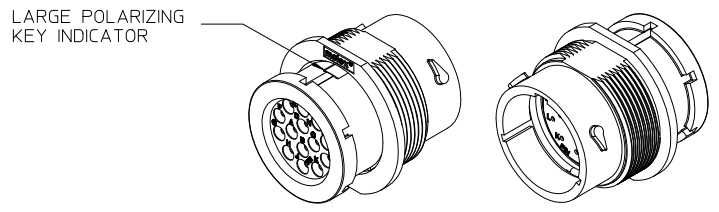
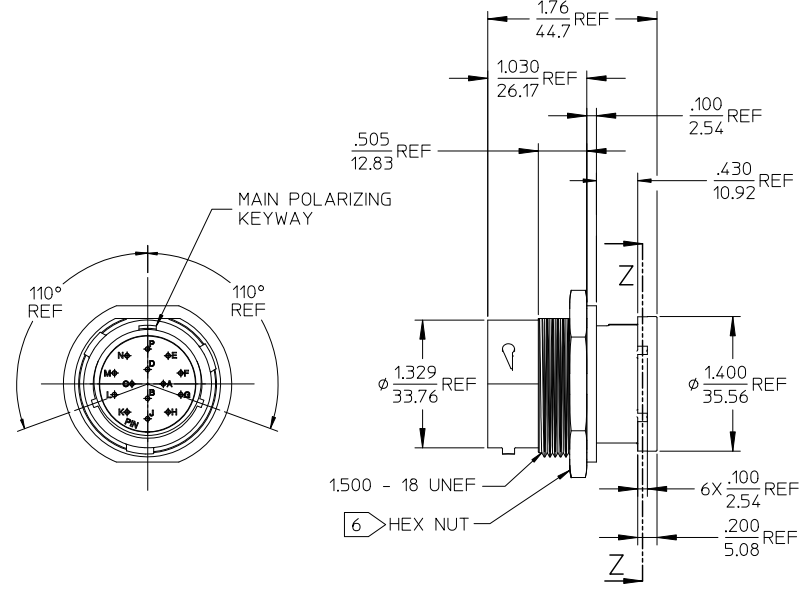


10	9	8	7	6	5	4	3	2	1
MATERIAL NUMBER	WIRE AWG	INSUL DIA O.D.							
845020008	18-14	.053(1.35) - .134(3.40)							



- NOTES:
1. MATERIALS:  
HOUSINGS: POLYESTER (PBT), GLASS FILLED, UL94V-0 & POLYETHERIMIDE (PEI), UNFILLED, UL94V-0.  
COLOR, UNLESS OTHERWISE SPECIFIED: BLACK  
SEALS: SILICONE RUBBER  
COLOR: RUST RED
  2. PRODUCT SPECIFICATION: PS-84501-001.
  3. MATES WITH: SERIES 84507 PLUG CONNECTOR.
  4. USE CONNECTOR WITH MALE CRIMP TERMINAL SERIES 84524.
  5. ALL COMPONENTS ARE ROHS COMPLIANT.
  6. HEX NUT SOLD SEPARATELY, OPTIONAL FOR PANEL MOUNTING  
MOLEX MATERIAL NUMBER 845020004.
  7. RECOMMENDED PANEL THICKNESS .062/1.58 TO .187/4.76

UPDATE NOTE TO 84525 TERMS. EC NO: WNA2011-0402 2011/01/28 DRW: WNALEUNG CHKD: CHYK APPR: DITLUS 2011/02/03	QUALITY SYMBOLS	GENERAL TOLERANCES (UNLESS SPECIFIED)	DIMENSION STYLE	SCALE	DESIGN UNITS	THIRD ANGLE PROJECTION	
	▽=0 ▽=0	mm INCH 4 PLACES ± --- ± --- 3 PLACES ± --- ± .015 2 PLACES ± 0.38 ± .02 1 PLACE ± 0.5 ± --- ANGULAR ± 1 °	IN/MM	1:1	INCH		
		DRAFT WHERE APPLICABLE MUST REMAIN WITHIN DIMENSIONS	DRAWN BY	DATE	TITLE		
			BRUPERT	2006/2/8	RECT. CONNECTOR ASSEMBLY, 18-14 POS PIN TERMINALS		
			CHECKED BY	DATE			
			JPAWLICKI	2006/2/8			
			APPROVED BY	DATE			
			RDEROSS	2006/2/8			
			MATERIAL NO.	DOCUMENT NO.		SHEET NO.	
			SEE CHART	SD-84502-002		1 OF 1	
			THIS DRAWING CONTAINS INFORMATION THAT IS PROPRIETARY TO MOLEX INCORPORATED AND SHOULD NOT BE USED WITHOUT WRITTEN PERMISSION				