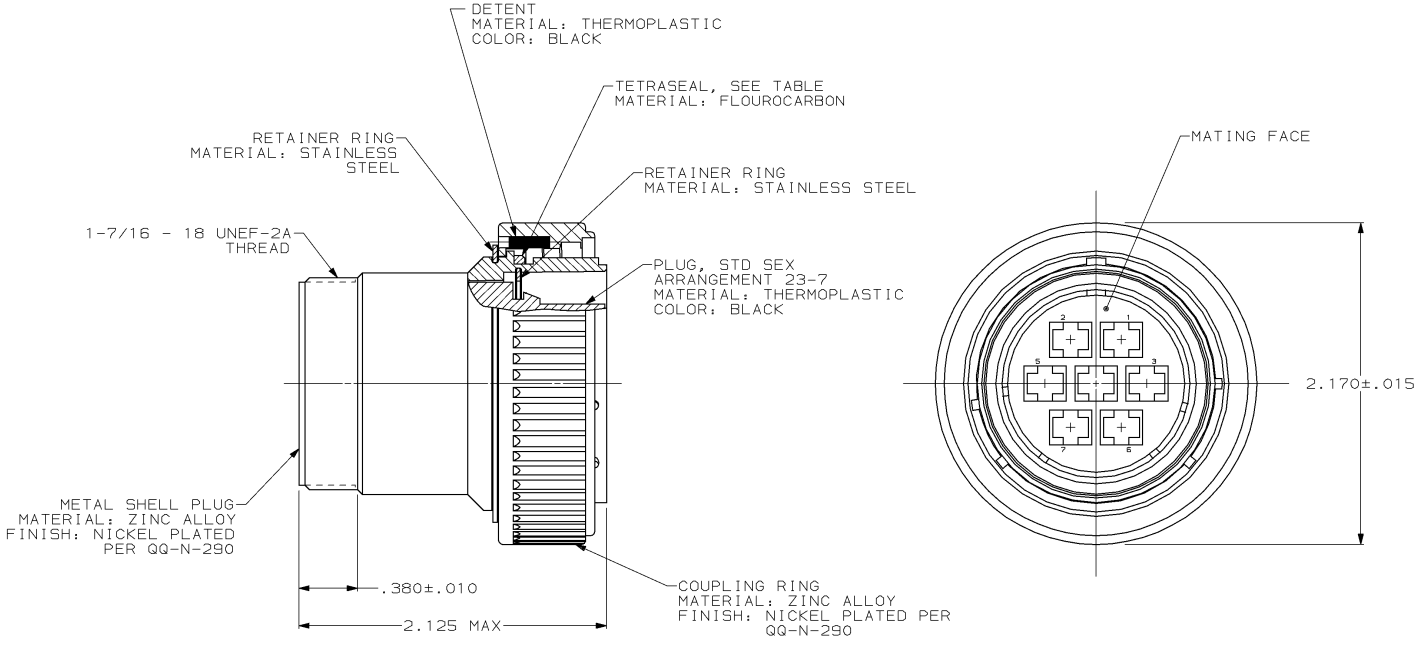


DRAWING MADE IN THIRD ANGLE PROJECTION
 THIS DRAWING IS UNPUBLISHED. RELEASED FOR PUBLICATION
 © COPYRIGHT 19 BY AMP INCORPORATED. ALL INTERNATIONAL RIGHTS RESERVED.

LOC	DIST	P	F	ZONE	LTR	DESCRIPTION	DATE	APPD
BD	35				N	REDRAWN	6-26-91	-
					P	REV PER ECN 8D5454	05/26/92	KB
					R	OBS -3 PER EC 0020-0136-95	17 JAN 95	AF



OBSOLETE	YES	208482-3
	NO	208482-1
	TETRASEAL	PART NUMBER

- 208482-1 MATES WITH AMP RECEPTACLE 208483-1 OR -2. 208482-3 MATES WITH AMP RECEPTACLE 208483-1 ONLY.
- AMP PART NUMBER AND DATE CODE TO BE LOCATED ON COUPLING RING.

DO NOT SCALE PRINT. UNLESS SPECIFIED DIMENSIONS IN INCHES TOLERANCES ON : 2 PLC DEC ± - 3 PLC DEC ± - ANGLES ± -	DR 6-26-91 R.LEE '86 CHK 4-20-92 W.G.LENKER APPD 4-20-92 K.BEAVER	AMP AMP Incorporated Harrisburg, PA 17105-3608 NAME PLUG ASSEMBLY, STD SEX, SERIES 3, 28-7, CMC
MATERIAL SEE CALLOUT	APPD 4-20-92 C.RHODE PRODUCT SPEC 108-10040	
FINISH SEE CALLOUT	APPLICATION SPEC -	
WEIGHT -	SCALE 2:1	SIZE CAGE CODE DRAWING NO 00779 208482 SHEET 1 OF 1