

4

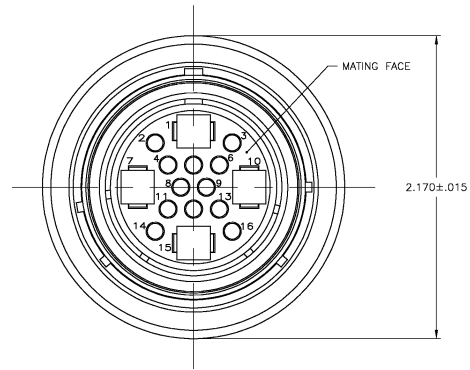
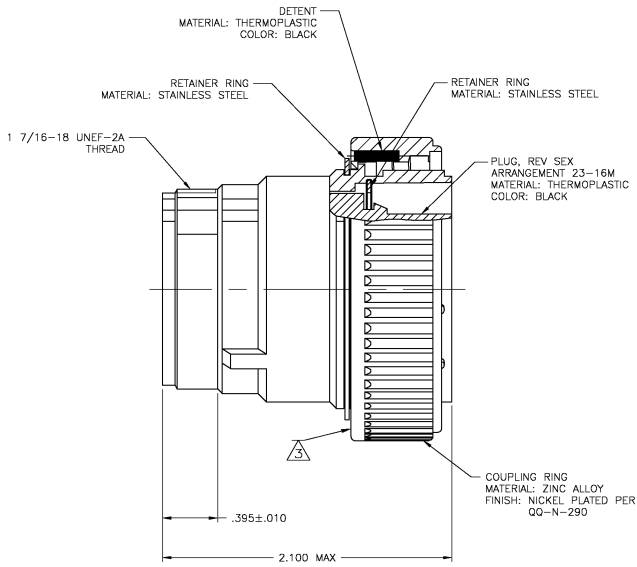
3

2

1

THIS DRAWING IS UNPUBLISHED. RELEASED FOR PUBLICATION
 © COPYRIGHT BY TYCO ELECTRONICS CORPORATION. ALL RIGHTS RESERVED.

LOC	DIST	REVISIONS			
P	LTR	DESCRIPTION	DATE	BY	APP'D
0		REVISED PER 0238-0619-04	7/16/04	SS	SH



NOTES:

- THIS CONNECTOR ACCEPTS (12) MULTIMATE PIN CONTACTS AND (4) TYPE XII MALE CONTACTS.
 - RECEPTACLE MATES WITH 1776088-1.
- AMP PART NUMBER AND DATE CODE TO BE LOCATED ON TOP SURFACE OF COUPLING RING.

1776089-1
 PART NO.

THIS DRAWING IS A CONTROLLED DOCUMENT.		DR: S SCHLEGEL 5/28/04	Tyco Electronics Corporation Harrisburg, Pa 17105-3608
DIMENSIONS: INCHES		CR: S SCHLEGEL 5/25/04	
DIMENSIONS UNLESS OTHERWISE SPECIFIED: 0 PLG ± — 1 PLG ± — 2 PLG ± — 3 PLG ± — 4 PLG ± — ANGLES ± —		PPG: S HEADER 5/25/04 PRECIP SPEC: — APPLICATION SPEC: — HEIGHT: —	
MATERIAL: —	FINISH: —	SEE CASE CODE DRAWING NO: A2 00779 CUSTOMER DRAWING	RESTRICTED TO: — SCALE: 2:1 SHEET 1 OF 1 REV 0

AMP 1421-9 REV 31 MAR 2000

1776089

B

A