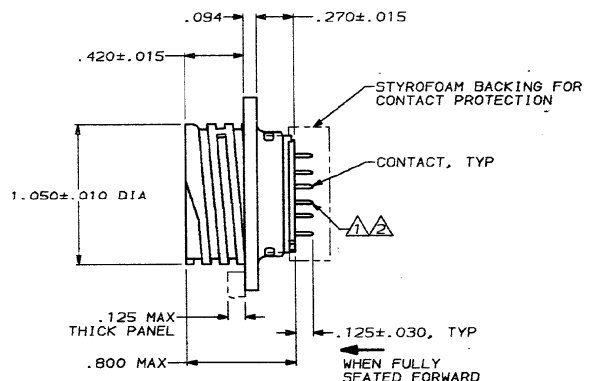
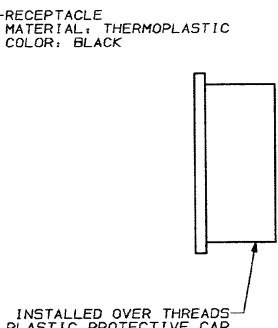
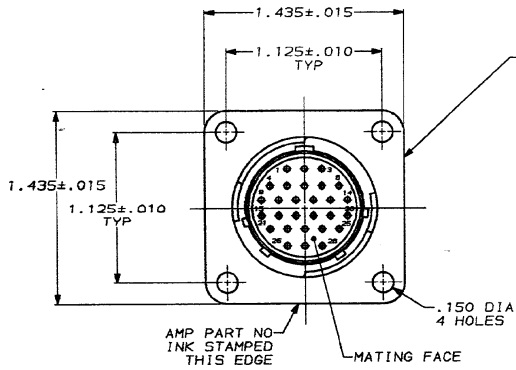


DRAWING MADE IN THIRD ANGLE PROJECTION

THIS DRAWING IS UNPUBLISHED. RELEASED FOR PUBLICATION .19  
 © COPYRIGHT 19 BY AMP INCORPORATED. ALL INTERNATIONAL RIGHTS RESERVED.

REV. NO.		DATE	DESCRIPTION	DATE	APPRO
23	BD	39	E REDRAWN	5-22-91	-



- ⚠ THIS RECEPTACLE ACCEPTS SIZE 20 DF PIN CONTACTS PER AMP DRAWING 3-66481-5, CONTACT CAVITIES IDENTIFIED BY CHARACTERS ON BOTH FRONT AND REAR FACE.
- ⚠ SELECT GOLD PER MIL-G-45204 OVER NICKEL PER QQ-N-290.
- 3. ASSEMBLED BY AMP INCORPORATED AND SHIPPED IN MOISTURE PROOF PLASTIC BAG WITH PART NUMBER STAMPED ON OUTSIDE.

206886-1  
PART NUMBER

DO NOT SCALE PRINT. UNLESS SPECIFIED DIMENSIONS IN INCHES TOLERANCES ON + 2 PLC DEC # - 3 PLC DEC # .005 ANGLES * -	DR 5-22-81 J GALLUCCI BS CHK 4-14-82 W.G. LENKER APPO 4-14-82 K. BEAVER	AMP AMP Incorporated Harrisburg, PA 17105-3608
SEE CALLOUT	APPO 4-14-82 C. ROSE PRODUCT SPEC 108-10024	NAME RECEPTACLE ASSEMBLY, POSTED, STD SEX, SERIES 2, 17-28, CPC
FINISH CONTACT: ⚠	APPLICATION SPEC WEIGHT	SIZE CAGE CODE DRAWING NO SCALE SHEET
		00779 -206886 2:1 1 OF 1

CUSTOMER DRAWING

206886

A