

4

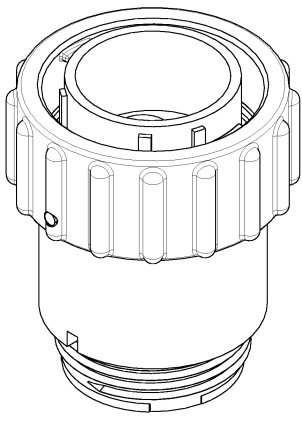
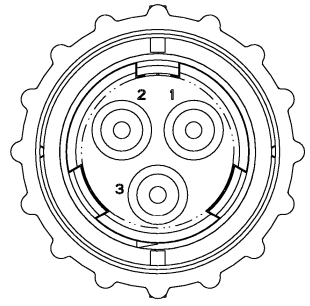
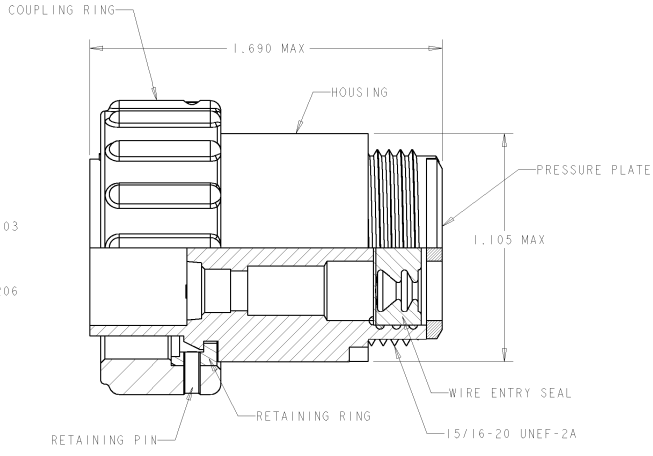
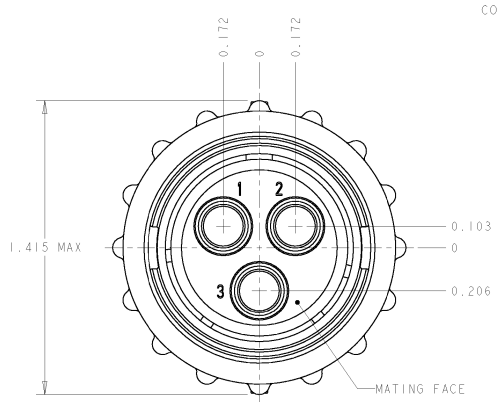
3

2

1

THIS DRAWING IS UNPUBLISHED. RELEASED FOR PUBLICATION BY TICO ELECTRONICS CORPORATION. ALL RIGHTS RESERVED.

REVOLUTIONS		DATE	BY	CHKD
TR	LYR	DESCRIPTION		
A		REVISED ECO-05-011127	MSKZHWB	SW SH



△ HOUSING & PRESSURE PLATE: NYLON, BLACK.
 WIRE ENTRY SEAL: ELASTOMER, RED-IRON OXIDE.
 COUPLING RING: ZINC ALLOY, NICKEL OVER COPPER.
 RETAINING RING: ZINC ALLOY, NICKEL OVER COPPER.
 RETAINING PIN: STEEL, ZINC PLATED

- 2. WILL ACCEPT (3) POWER MALE CONTACTS.
- 3. INSULATION RANGE: .095-205

1776317-1
PART NUMBER

DIMENSIONS: INCHES 		DWG: S. WELDON 08NOV2004 CHK: J. WAKEM 08NOV2004 APD: J. WAKEM 08NOV2004	AMP AMP Incorporated Harrisburg, PA 17105-3600
0 PLC ±.01 1 PLC ±.02 2 PLC ±.02 3 PLC ±.02 ANGLES ±.01 FINISH △	0 PLG ±.01 1 PLG ±.02 2 PLG ±.02 3 PLG ±.02 ANGLES ±.01 FINISH △	PRODUCT SPEC APPLICATION SPEC WEIGHT CUSTOMER DRAWING	PART NUMBER AMP PLUG ASSEMBLY, SIZE 17-3, REVERSE SEX, W/METAL COUPLING RING, CIRCULAR PLASTIC CONNECTOR SIZE CASE CODE DRAWING NO A2100779 1776317 SCALE 3:1 SHEET 1 OF 1 REV A