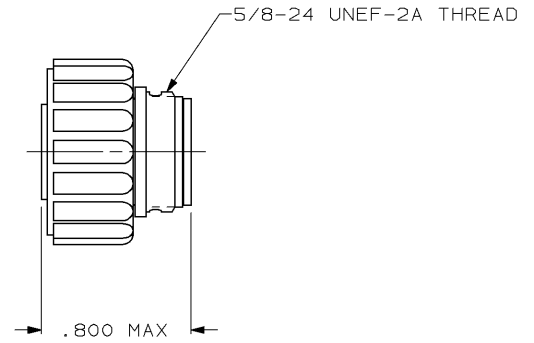
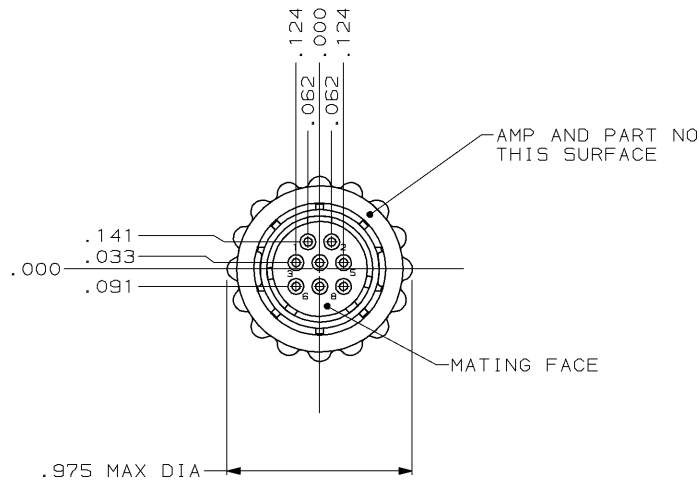


DRAWING MADE IN THIRD ANGLE PROJECTION

THIS DRAWING IS UNPUBLISHED. RELEASED FOR PUBLICATION, 19
 © COPYRIGHT 19 BY AMP INCORPORATED. ALL INTERNATIONAL RIGHTS RESERVED.

LOC	DIST	ZONE	LTR	REVISIONS	DATE	APPD
FT	4		C	REDRAWN	4/8/91	-
			D	REV PER EC 0020-568-95	14 JUL 95	AF
			E	OBSOLETE -1 PER EC 0020-559-96	03 JAN 97	TW
			F	REACTIVATE -1 PER EC 061C-0084-98	28 MAY 98	RW



206460-1
 PART NUMBER

- CONTACT CAVITIES IDENTIFIED BY CHARACTERS ON FRONT AND REAR FACES OF CONNECTOR.
- WILL ACCEPT (8) SIZE 20 SOCKET CONTACTS.

DO NOT SCALE PRINT. UNLESS SPECIFIED DIMENSIONS IN INCHES TOLERANCES ON: 2. PLC DEC ± .005 ANGLES ± -		DR 4/8/91 A. STAUB BS	AMP AMP Incorporated Harrisburg, PA 17105-3608
MATERIAL GLASS FILLED NYLON 6/6, BLACK		CHK 7-23-92 M. G. LENKER	
FINISH -		APPD 7-23-92 K. BEAVER	NAME PLUG ASSEMBLY, FEED THRU, SERIES 2, 11-8, CPC
		PRODUCT SPEC 108-10024	SIZE B
		APPLICATION SPEC -	CAGE CODE 00779
		WEIGHT -	DRAWING NO 206460
			SCALE 2:1
			SHEET 1 OF 1

AMP 1470-15 REV 11-89 28-MAY-98 09:07:16 amp02202 /home/ssrv026d/dsk01/dept4223/amp02202/edmod

CUSTOMER DRAWING