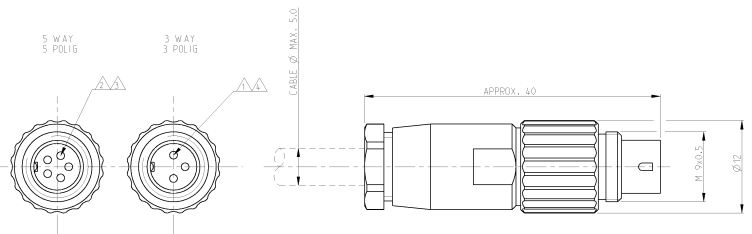
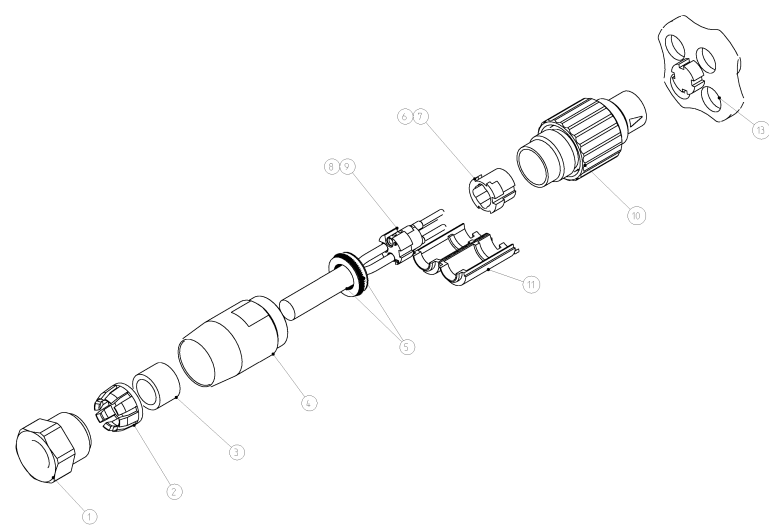


REV. NO.		REV. DATE		REV. DESCRIPTION	
A1	-	1	10	1000000	1000000
A1	1	10	10	1000000	1000000
A2	2	10	10	1000000	1000000

MATERIAL / MATERIAL PBT, UL-94 V2		△
SHELL MATERIAL / GEHAUSEMATERIAL BRASS/MESSING		△
FINISH / BESCHICHTUNG: TRIBOR 4 µm		△
WIRE GAGE / DRAHTGRÖSSE IN mm <sup>2</sup> : 0.5		△
WIRE GAGE / DRAHTGRÖSSE IN mm <sup>2</sup> : 0.14 OR 0.25		△
CRIMP CONTACT / CRIMP KONTAKT: SEE PN 5-1437720-5		△
CRIMP CONTACT / CRIMP KONTAKT: SEE PN 5-1437720-4		△
SHELL PROTECTION CLASS / SCHUTZKLASSE: IP 65 / D IN 40050		
TEST VOLTAGE / PRÜFSPANNUNG: 500 VAC		
OPERATING VOLTAGE / BETRIEBSSPANNUNG: 60 VAC		
OPERATING TEMPERATURE: -40°C TO +80°C		
ARBEITSTEMPERATUR: -40°C BIS +80°C		
MATING CYCLES / STECKZYKLEN: 500 MAX.		
TECHNICAL DATA		
TECHNISCHE DATEN		



△ CONTACTS OF TYPE TYCO-PN: 5-1437720-4/101-0540-P03 MUST BE ORDERED SEPARATELY  
KONTAKTE DES TYPUS TYCO-PN: 5-1437720-4/101-0540-P03 MÜSSEN SEPARAT BESTELLT WERDEN

△ CONTACTS OF TYPE TYCO-PN: 5-1437720-5/101-0540-P05 MUST BE ORDERED SEPARATELY  
KONTAKTE DES TYPUS TYCO-PN: 5-1437720-5/101-0540-P05 MÜSSEN SEPARAT BESTELLT WERDEN

TYCO-NO. / TYCO NR.		ITEM NO.	
1-1437719-2	1-1437719-1	13	
1	1	13	
1	1	12	
1	1	11	
1	1	10	
1	1	9	
1	1	8	
1	1	7	
1	1	6	
2	2	5	
1	1	4	
1	1	3	
1	1	2	
1	1	1	
-	-		
DTY RECD PER ASSY		DESCRIPTION / BESCHREIBUNG	
T01-0540-P05		PARTS LIST / TEILE LISTE	
T01-0540-P03			
CATALOG-NO.	CATALOG-NO.		

TYCO-NO. / TYCO-NR.	ORDER QUANTITY / BESTELLMENGE	DESCRIPTION / BESCHREIBUNG	ITEM NO. / TEIL-NR.
1-1437719-2	100 PLUG CONNECTORS / STECKVERBINDER	100 PLUG CONNECTORS / STECKVERBINDER	
1-1437719-1	100 PLUG CONNECTOR / STECKVERBINDER	100 PLUG CONNECTOR / STECKVERBINDER	
TYCO-NO. / TYCO-NR.	ORDER QUANTITY / BESTELLMENGE	DESCRIPTION / BESCHREIBUNG	ITEM NO. / TEIL-NR.

100 Electric AMP Series  
B - 6429 Series

**Tyco**  
**Amphenol**

101 MALE PLUG CONNECTOR CRIMP-VERS. 3-5 POS.  
101 STIFTSSTELKER CRIMPVERSION 3 - 5 POL.

ITEM 1 (SEE DRG) (SEE DRG)  
A | 00 778 | 02-1-1437719-1

DATE: 10/10/00  
REV: 1

1/24