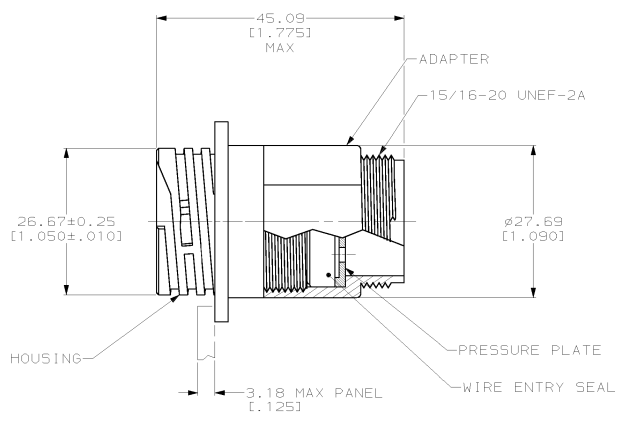
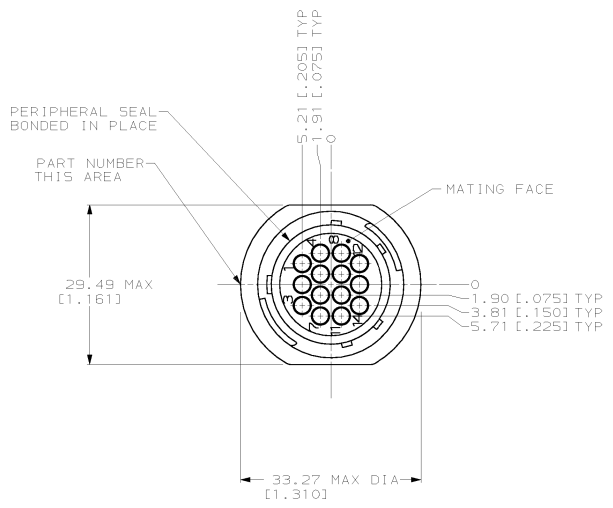


4 3 2 1

THIS DRAWING IS UNPUBLISHED. RELEASED FOR PUBLICATION
 (C) COPYRIGHT IS BY AMP INCORPORATED. ALL RIGHTS RESERVED.

REV	DATE	BY	APP'D	DESCRIPTION
0				
1	14AUG00	SU	HS	REVISE PER ECN 0638-0348-00

- △ HOUSING, ADAPTER AND PRESSURE PLATE: NYLON, BLACK.
 WIRE ENTRY SEAL: ELASTOMER, RED-IRON OXIDE.
 PERIPHERAL SEAL: ELASTOMER, GREY.
2. CONNECTOR WILL ACCEPT (14) MULTIMATE SOCKET CONTACTS.



796273-1
 PART NUMBER

THIS DRAWING IS A CONTROLLED DOCUMENT.		DATE: 27JAN2000	BY: MREACHIN	AMP Incorporated Harrisburg, PA 17105-3608
DIMENSIONS: mm (INCHES)		DATE: 27JAN2000	BY: DOWNHOWER	ASSEMBLY, RECEPTACLE, REVERSE SEX, 17-14, FREE HANGING, SEALED
Ø P L C ± .01	Ø P L C ± .01	DATE: 27JAN2000	BY: DOWNHOWER	APPLICATION SPEC: -
Ø P L C ± .01	Ø P L C ± .01	DATE: 27JAN2000	BY: DOWNHOWER	WEIGHT: -
Ø P L C ± .01	Ø P L C ± .01	DATE: 27JAN2000	BY: DOWNHOWER	CUSTOMER DRAWING
MATERIAL: -	FINISH: -	DATE: 27JAN2000	BY: DOWNHOWER	SCALE: 2:1
MATERIAL: -		DATE: 27JAN2000	BY: DOWNHOWER	SHEET: 1 OF 1
MATERIAL: -		DATE: 27JAN2000	BY: DOWNHOWER	REV: C