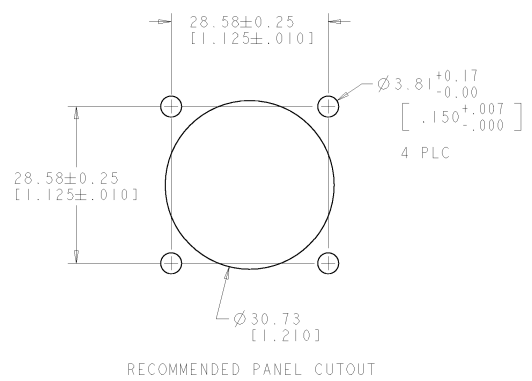
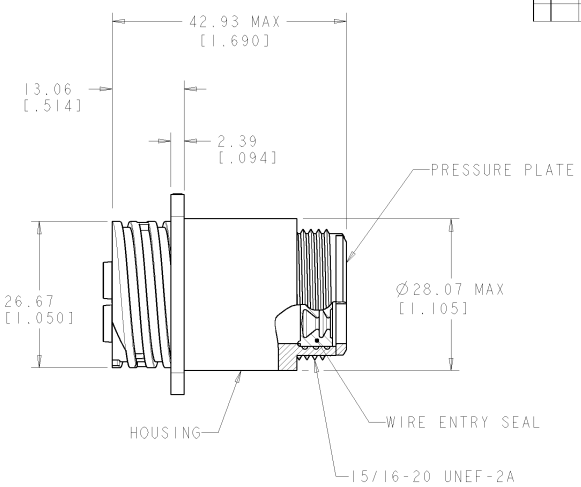
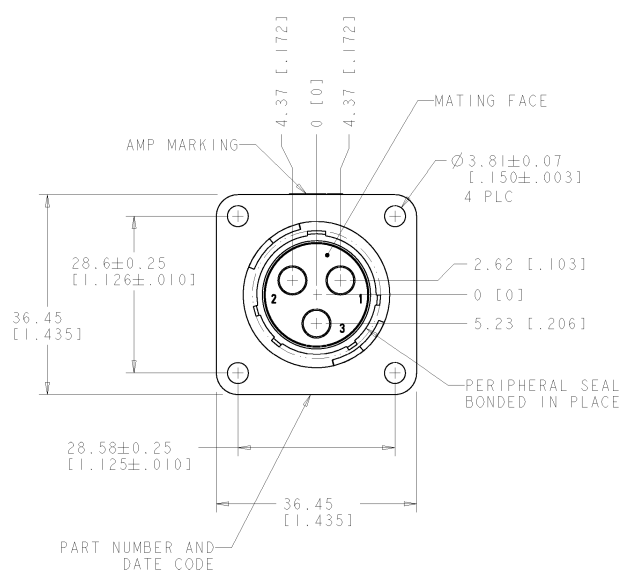


THIS DRAWING IS UNPUBLISHED. RELEASED FOR PUBLICATION BY AMP INCORPORATED. ALL RIGHTS RESERVED. COPYRIGHT ©

REVOLUTIONS		DATE	DWG	APPD
F	LTR	DESCRIPTION		
0		PRELIMINARY	08FEB2000	SM RD
A		REVISED EC 0638-0109-00	02MAR2000	SM RD
B		REVISED EC 0638-0312-00	27JUN2000	SM RD



△ HOUSING & PRESSURE PLATE: NYLON, BLACK.  
 WIRE ENTRY SEAL: ELASTOMER, RED-IRON OXIDE.  
 PERIPHERAL SEAL: POLYESTER, BLACK.  
 2. CONNECTOR WILL ACCEPT (3) POWER SOCKET CONTACTS.

3.81-6.73 [ .150-.265 ]	788189-2
2.41-5.21 [ .095-.205 ]	788189-1
INSULATION RANGE	PART NUMBER

DIMENSIONS:		TOLERANCES UNLESS OTHERWISE SPECIFIED:		MATERIAL:		FINISH:		APPROVALS:		PART INFORMATION:	
mm (INCHES)		mm (INCHES)						DATE	BY	DESCRIPTION	REV
Ø 3.81 ± 0.07	[ .150 ± .003 ]	Ø 3.81 ± 0.07	[ .150 ± .003 ]	NYLON	BLACK	WIRE ENTRY SEAL	ELASTOMER	07FEB2000	S. WELDON	RECEPTACLE ASSY, SERIES 5, REVERSE SEX, SIZE 17-3, CIRCULAR PLASTIC CONNECTOR	0
28.6 ± 0.25	[ 1.126 ± .010 ]	28.6 ± 0.25	[ 1.126 ± .010 ]	PERIPHERAL SEAL	POLYESTER			07FEB2000	R. DOWHOWER		1
36.45 ± 0.00	[ 1.435 ± .000 ]	36.45 ± 0.00	[ 1.435 ± .000 ]					07FEB2000	R. DOWHOWER		2
Ø 30.73 ± 0.00	[ 1.210 ± .000 ]	Ø 30.73 ± 0.00	[ 1.210 ± .000 ]								
MATERIAL: NYLON, BLACK		FINISH: POLYESTER, BLACK		APPROVALS: S. WELDON, R. DOWHOWER		PART INFORMATION: RECEPTACLE ASSY, SERIES 5, REVERSE SEX, SIZE 17-3, CIRCULAR PLASTIC CONNECTOR		DATE: 07FEB2000		REV: 0	
CUSTOMER DRAWING		SCALE: 2:1		SHEET: 1 OF 1		REV: B		PART NUMBER: 788189		DRAWING NO: A2100778	