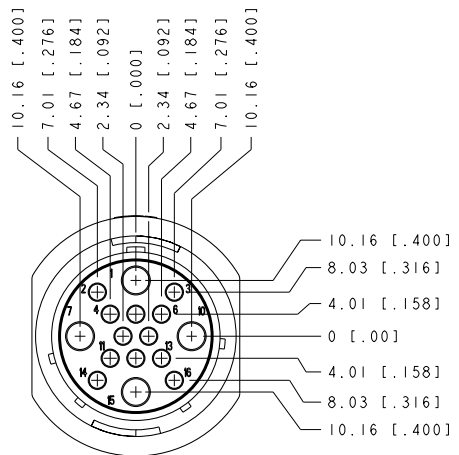
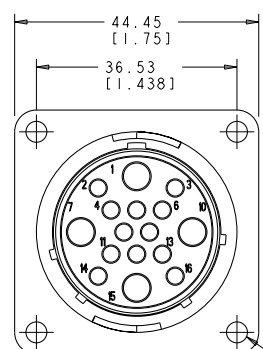


THIS DRAWING IS UNPUBLISHED. RELEASED FOR PUBLICATION  
 BY TYCO ELECTRONICS CORPORATION. ALL RIGHTS RESERVED.

REVISIONS				
REV	DATE	BY	CHK	APPROV
E	23MAY2005	SW	SH	
F	22JUN2006	SW	SH	

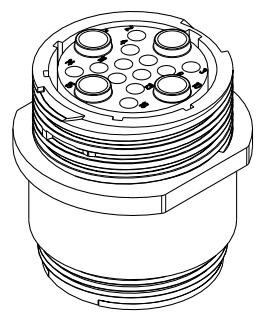
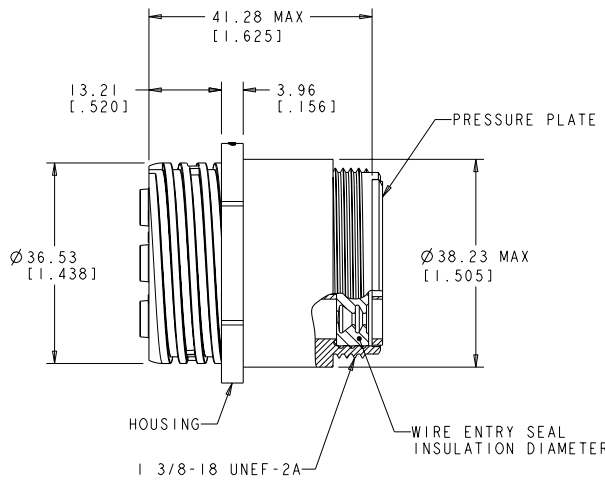


FREE-HANGING VERSION



SQUARE FLANGE VERSION

THREADED INSERT  
 QTY: 4, SEE TABLE



- △ HOUSING & PRESSURE PLATE: NYLON, BLACK.  
 WIRE ENTRY SEAL: ELASTOMER, RED-IRON OXIDE.  
 PERIPHERAL SEAL: POLYESTER, BLACK.
- 2. CONNECTOR WILL ACCEPT (12) MULTIMATE SOCKET  
 AND (4) POWER SOCKET CONTACTS.

PRELIMINARY	.095-.205	NO	SQUARE FLANGE	796330-3
PRELIMINARY	.150-.260	YES	SQUARE FLANGE	796330-2
	.095-.205	NO	FREE-HANGING	796330-1
INSULATION DIAMETER	THREADED INSERT	HOUSING VERSION	PART NUMBER	

DATE: 13DEC1999	DESIGNED BY: S. WELDON	AMP INCORPORATED	HARRISBURG, PA 17105-3608
DIMENSIONS: mm (INCHES)	TO: ENGLAND	<b>AMP</b>	
	PRODUCT SPEC: 108-1579	RECEPTACLE ASSY, SERIES 6, REVERSE SEX, SIZE 23-16 CIRCULAR PLASTIC CONNECTOR	
MATERIAL: △	WEIGHT: -	SHEET: A2	CASE CODE: 00779
	CUSTOMER DRAWING	SCALE: 2:1	SHEET 1 OF 1