

4

3

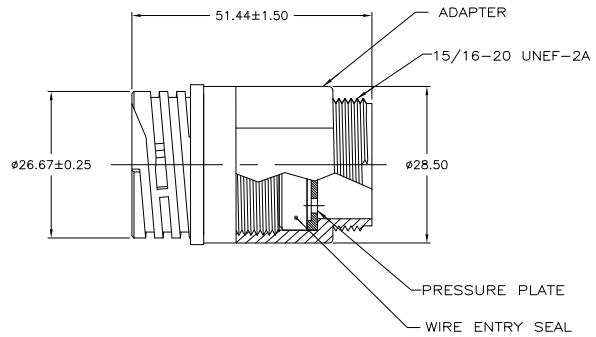
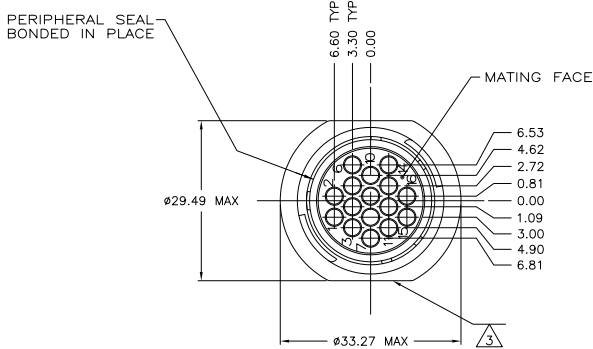
2

1

THIS DRAWING IS UNPUBLISHED. RELEASED FOR PUBLICATION  
 © COPYRIGHT BY TYCO ELECTRONICS CORPORATION. ALL INTERNATIONAL RIGHTS RESERVED.

LOC	DIST	REVISIONS				
FT	0	F	LNK	DATE	BY	APPD
		F		REVISED PER ECO-08-032010	26MAR09	HMR MS

- △ HOUSING, ADAPTER AND PRESSURE PLATE: NYLON, BLACK.  
WIRE ENTRY SEAL: ELASTOMER, RED-IRON OXIDE.  
PERIPHERAL SEAL: ELASTOMER, GRAY.
- 2 CONNECTOR WILL ACCEPT (16) MULTIMATE PIN CONTACTS.
- △ PART NUMBER STAMPED ON EITHER STRAIGHT EDGE, AS INDICATED.



OBSOLETE	∅40	.080	SMALL	796276-3
	.040	.080	SMALL	796276-2
	.065	.120	STANDARD	796276-1
	DIA. RANGE		INSULATION	PART NUMBER

THIS DRAWING IS A CONTROLLED DOCUMENT.		DWG	L. McEACHIN	27-JAN-2000	Tyco Electronics Corporation Harrisburg, PA 17105-3608
DIMENSIONS: mm		CHK	K. DOWNHOWER	27-JAN-2000	
TOLERANCES UNLESS OTHERWISE SPECIFIED:		APPD	K. DOWNHOWER	27-JAN-2000	ASSEMBLY, RECEPTACLE, STANDARD SEX, 17-16, STANDARD OR SMALL INSULATION DIA., SEALED
0 PLG ± .01		NAME	K. DOWNHOWER		
1 PLG ± .01		APPLICATION SPEC:			RESTRICTED TO
2 PLG ± .01		SIZE	A2	00779	
3 PLG ± .01		WEIGHT			CUSTOMER DRAWING
4 PLG ± .01		SCALE	2:1	SHEET 1 of 1	
ANGLES ± .5		REV			F
MATERIAL - △					
FINISH -					