

4

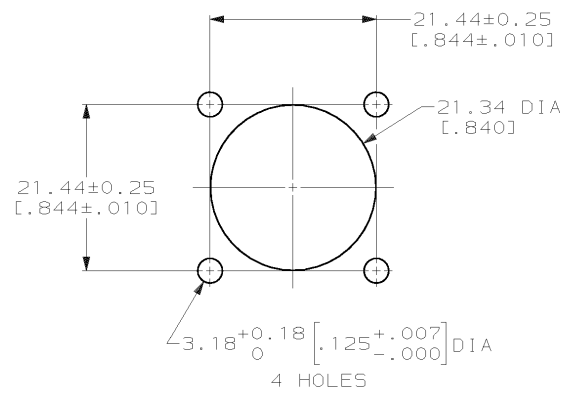
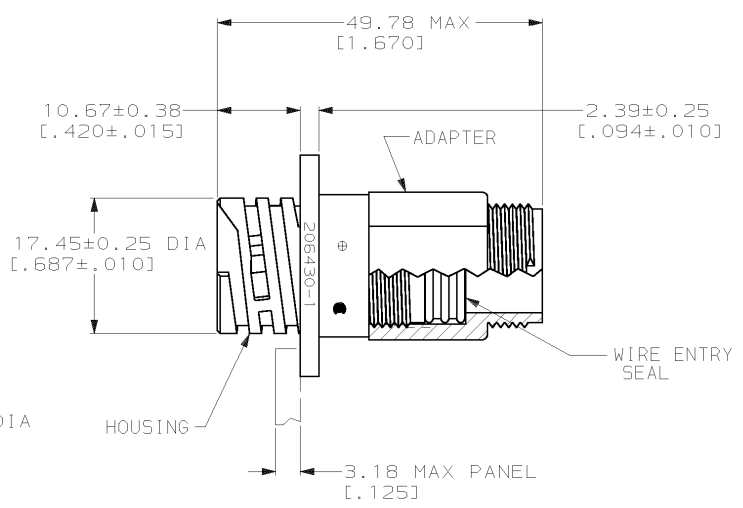
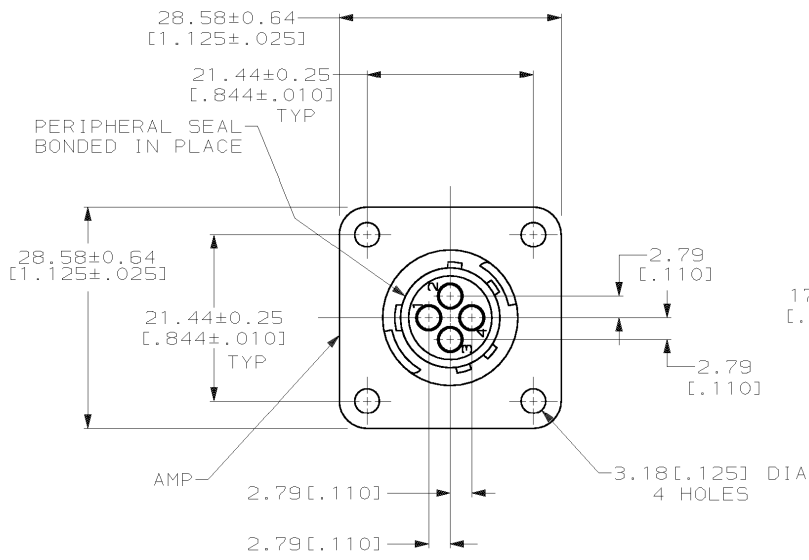
3

2

1

THIS DRAWING IS UNPUBLISHED. RELEASED FOR PUBLICATION .19
 © COPYRIGHT 19 BY AMP INCORPORATED. ALL RIGHTS RESERVED.

LOC	DIST	REVISIONS					
FT	0	P	LTR	DESCRIPTION	DATE	DWN	APVD
		0		RELEASED -2 PER NPR 5730	22 OCT 99	DH	KD



- 1. HOUSING & ADAPTER: NYLON 6/6, BLACK.
 WIRE ENTRY SEAL: ELASTOMER, RED.
- 2. THIS CONNECTOR WILL ACCEPT FOUR (4) MULTIMATE SOCKET CONTACTS.

788154-2
 PART NUMBER

THIS DRAWING IS A CONTROLLED DOCUMENT.		DWN P. BENNINGHOVE 01 OCT 97	AMP AMP Incorporated Harrisburg, PA 17105-3608
		CHK K. DOWHOWER 28 OCT 99	
DIMENSIONS: mm [INCHES]		APVD K. DOWHOWER 28 OCT 99	NAME RECEPTACLE ASSEMBLY, 11-4, REVERSE SEX, SERIES 1, SEALED, CPC
TOLERANCES UNLESS OTHERWISE SPECIFIED:		PRODUCT SPEC 108-1579	
0 PLC ±-		APPLICATION SPEC 114-10038	SIZE A3
1 PLC ±-		WEIGHT -	CAGE CODE 00779
2 PLC ±0.13 [.005]		MATERIAL ⚠	DRAWING NO. 788154
3 PLC ±-		FINISH -	RESTRICTED TO -
4 PLC ±-			CUSTOMER DRAWING
ANGLES ±-			SCALE 2:1
			SHEET 1 OF 1
			REV 0