

4

3

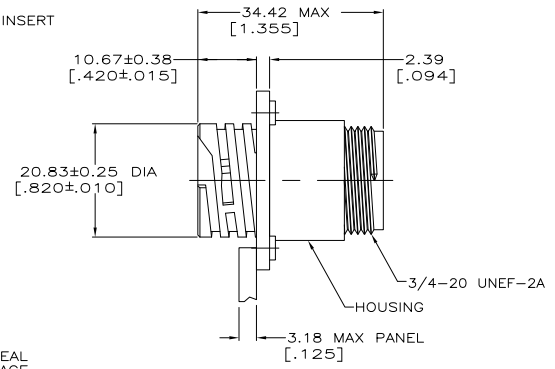
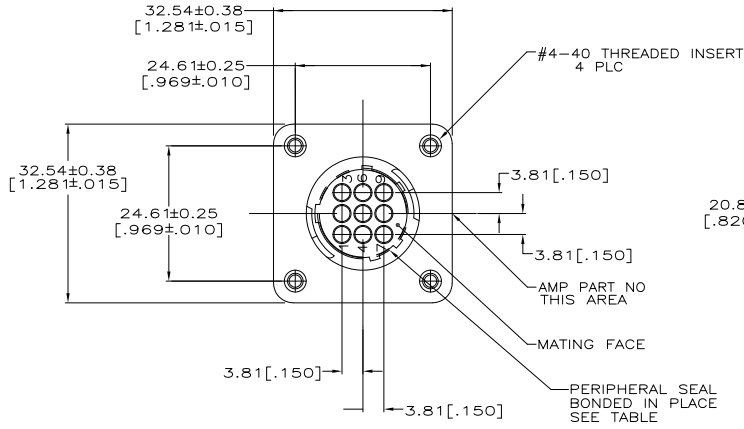
2

1

THIS DRAWING IS UNPUBLISHED. RELEASED FOR PUBLICATION
 © COPYRIGHT BY TYCO ELECTRONICS CORPORATION. ALL RIGHTS RESERVED.

LOC	DIST	REVISIONS			
P	LTR	DESCRIPTION	DATE	BY	APPD
E		REVISED PER DG38-0937-04	10/22/04	SS	HW
E1		REVISED PER ECO-09-020935	10SEP09	KK	AEG

- 1. CAVITY IDENTIFICATION ON FRONT AND REAR FACE.
- ⚠ OBSOLETE PARTS: OBSOLETE CIS STREAMLINING PER D.RENAUD/D.SINISI



⚠ OBSOLETE	YES	YES	208131-2
	YES	NO	208131-1

THIS DRAWING IS A CONTROLLED DOCUMENT.		DRN: D. HARDY 06-21-04	Tyco Electronics Corporation	
DIMENSIONS: INCHES		CHK: S. STONE 06-28-04	Harrisburg, Pa 17105-3608	
OTHER DIMENSIONS: MILLIMETERS		APPC: -	RECEPTACLE ASSEMBLY W/ THREADED FASTENERS, SHELL SIZE 13, STANDARD SEX, CPC	
MATERIAL: HOUSING: THERMOPLASTIC, BLACK; INSERTS: BRASS		PRODUCT SPEC: -	SIZE: A2	CAGE CODE: 00779
FINISH: -		APPLICATION SPEC: -	DRAWING NO: C-208131	RESTRICTED TO: -
		HEIGHT: -	CUSTOMER DRAWING	SCALE: 2:1 SHEET 1 OF 1 REV E1

AMP 1471-9 REV 31MM0200

208131

A