

4

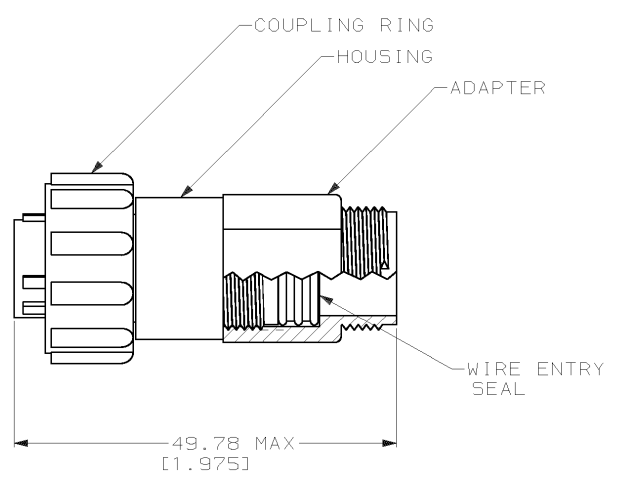
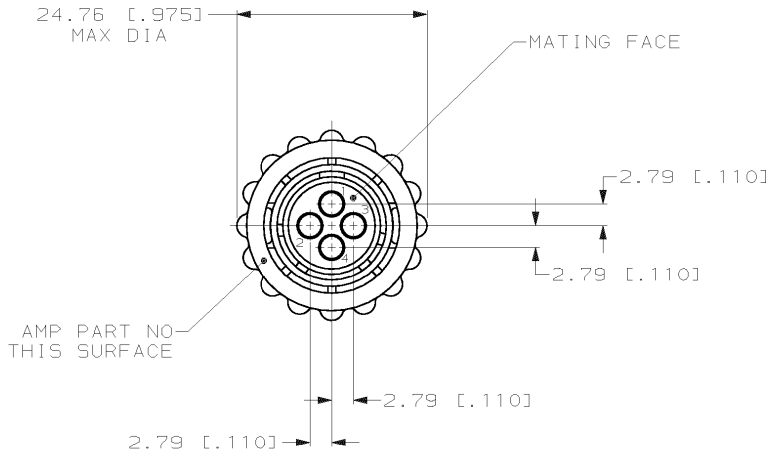
3

2

1

THIS DRAWING IS UNPUBLISHED. RELEASED FOR PUBLICATION .19 . . .
 © COPYRIGHT 19 BY AMP INCORPORATED. ALL RIGHTS RESERVED.

LOC	DIST	REVISIONS			
P	LTR	DESCRIPTION	DATE	DWN	APVD
0		RELEASED -2 PER NPR 5730	21 OCT 99	DH	KD



- 1. HOUSING, COUPLING RING & ADAPTER: NYLON 6/6, BLACK.
WIRE ENTRY SEAL: ELASTOMER, RED.
- 2. THIS CONNECTOR WILL ACCEPT FOUR (4) MULTIMATE PIN CONTACTS.

788153-2
 PART NUMBER

THIS DRAWING IS A CONTROLLED DOCUMENT.		DWN P. BENNINGHOVE 01 OCT 97	AMP AMP Incorporated Harrisburg, PA 17105-3608
		CHK K. DOWHOWER 28 OCT 99	
DIMENSIONS: mm [INCHES]		APVD K. DOWHOWER 28 OCT 99	NAME: PLUG ASSEMBLY, 11-4, REVERSE SEX, SERIES 1, SEALED, CPC
TOLERANCES UNLESS OTHERWISE SPECIFIED:		PRODUCT SPEC 108-1579	RESTRICTED TO
0 PLC ±-		APPLICATION SPEC 114-10038	SIZE CAGE CODE DRAWING NO
1 PLC ±-		WEIGHT -	A3 00779 C- 788153
2 PLC ±0.13 [.005]		CUSTOMER DRAWING	SCALE 2:1 SHEET 1 OF 1 REV 0
3 PLC ±-			
4 PLC ±-			
ANGLES ±-			
MATERIAL: ⚠	FINISH -		