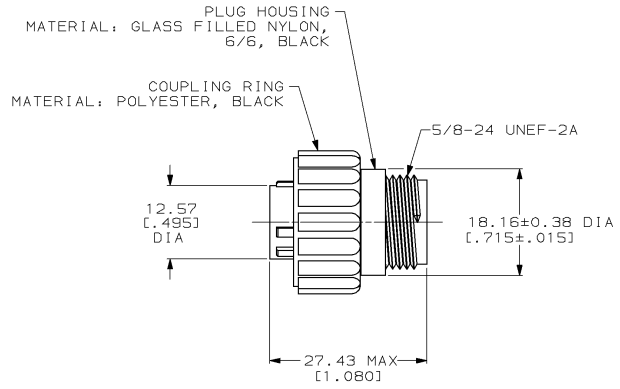
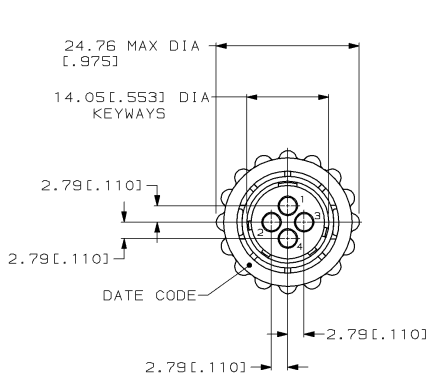


DRAWING MADE IN THIRD ANGLE PROJECTION  
 THIS DRAWING IS UNPUBLISHED. RELEASED FOR PUBLICATION  
 © COPYRIGHT 19 BY AMP INCORPORATED. ALL INTERNATIONAL RIGHTS RESERVED.

LOC	DIST	P	F	ZONE	LTR	DESCRIPTION	DATE	APPD
FT	4				B	REDRAWN W/O CHANGE PER EC 0020-600-94	08/16/94	AF
					C	REV PER EC 0020-568-95	18 JUL 95	AF
					D	REV PER EC 0320-244-97	07 OCT 97	KD



1. CAVITY IDENTIFICATION ON FRONT AND REAR FACE.
2. WILL ACCEPT FOUR (4) MULTIMATE SOCKET CONTACTS.

THIS DRAWING IS A CONTROLLED DOCUMENT FOR AMP INCORPORATED. IT IS SUBJECT TO CHANGE AND THE CONTROLLING ENGINEERING ORGANIZATION SHOULD BE CONTACTED FOR THE LATEST REVISION.

		206516-1	
		PART NO	
DO NOT SCALE PRINT. UNLESS SPECIFIED DIMENSIONS IN mm [INCHES] TOLERANCES ON + 2 PLC DEC ± 0.13 (.005) 3 PLC DEC ± ANGLES ± -		DR 06-16-94 D.HARDY	
MATERIAL SEE CALLOUTS		CHK 06-24-94 R.STONE	
FINISH -		APPD 08-09-94 A.FRANTUM	
		NAME PLUG ASSEMBLY, STANDARD SEX, 11-4, CPC	
		SIZE C	CAGE CODE 00779
		SCALE 2:1	DRAWING NO C-206516
		WEIGHT -	SHEET 1 OF 1

CUSTOMER DRAWING