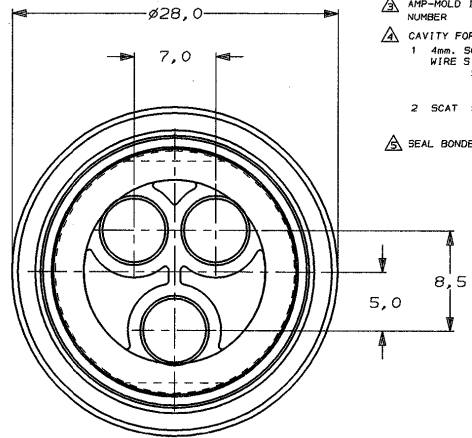
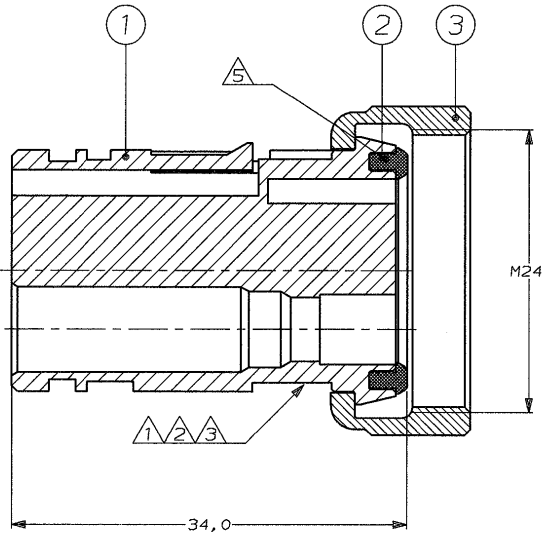


DO NOT SCALE
DIMENSIONS IN mm

METRIC

THIRD ANGLE
PROJECTION




-1 AS SHOWN

NOTES.

- △ AMP-TRADEMARK PER SPEC.
- △ AMP-IDENTIFICATION NUMBER ACC. DIN 1451 MITTLESCHR. HEIGHT 1,2
- △ AMP-MOLD IDENTIFICATION NUMBER
- △ CAVITY FOR,
1 4mm. SOCKET CONTACT WIRE SIZE 0,5-4mm² SEE DRAWING NR. 962952-1 NR. 962954-1 NR. 962956-1
- 2 SCAT SEE DRAWING NR. 963243-1 NR. 963244-1
- △ SEAL BONDED IN INSERT.

BRASS	NUT M24	100296-1	3
SILICON RUBBER	SEALING RING	100294-1	2
PBT	3-POS. HOUSING	100289-1	1
MATERIAL	DESCRIPTION	PARTNUMBER	ITEM

-				CUSTOMER DRAWING		FOR REFERENCE ONLY WILL NOT BE UPDATED	
-				© COPYRIGHT 19-		BY AMP HOLLAND B.V.	
-				ALL INTERNATIONAL RIGHTS RESERVED. AMP PRODUCTS MAY BE COVERED BY U.S. AND FOREIGN AND/OR PATENTS PENDING.		THIS DRAWING IS UNPUBLISHED	
-				RELEASED FOR PUBLICATION		, 19--	
B	EH-0896-93	DK	RotB	18-11-93	 AMP HOLLAND B.V. 's-Hertogenbosch, The Netherlands.		
A	H-9765	LvdH	RotB	13 MAY '92			
O	H-9527	JvL	RotB	10-02-92			
LTR.	REVISION RECORD	DR.	CHK.	DATE	NAME	ASSY 3 POS HOUSING FOR 4mm. SOCKET CONTACT M24 VERSION	
DR.	J.v.LIEMPT.	CHK.	R.o.t.BERG.	APP.	L.vy.SOEST.	DWG.No.	REV.LTR.
DATE:	10 FEB. 1992	DATE:	-	DATE:	24/1/93	C-100285	B
							SHEET 1 OF 1
							A3