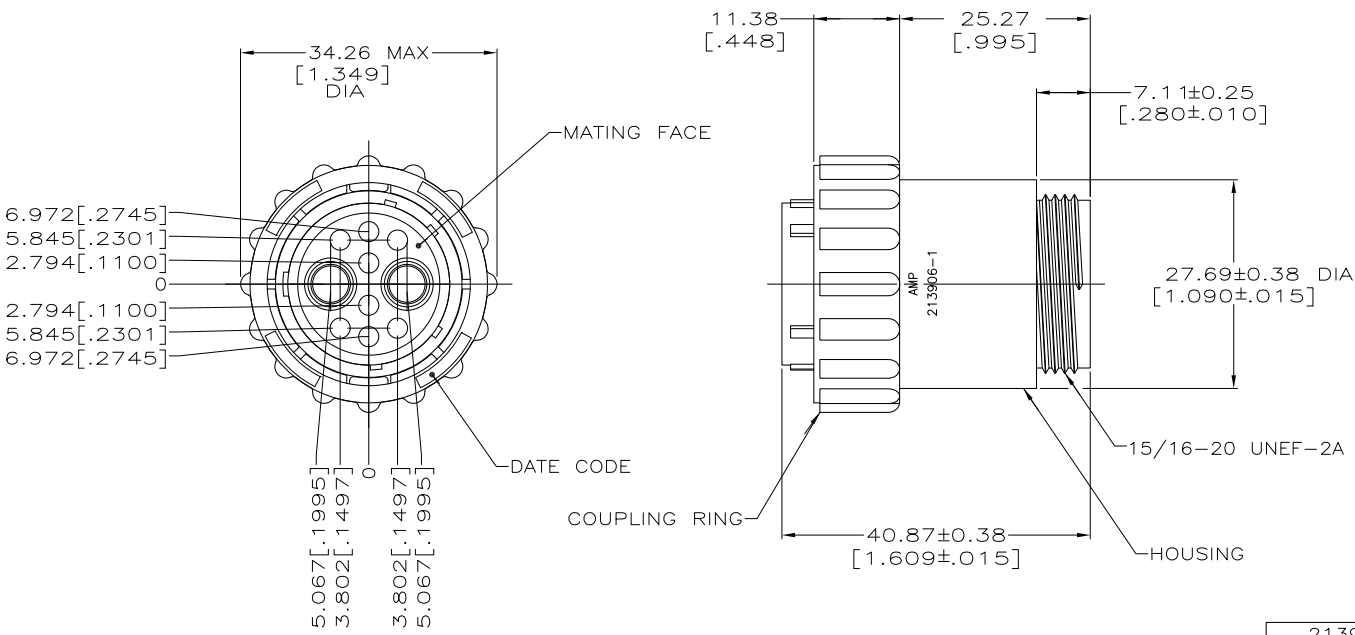


THIS DRAWING IS UNPUBLISHED. RELEASED FOR PUBLICATION  
 © COPYRIGHT - By - ALL RIGHTS RESERVED.

LOC	DIST	REVISIONS			
P	LTR	DESCRIPTION	DATE	DWN	APVD
FT	0				
	D1	REVISED PER ECO-11-004917	11MAR11	RK	HMR



△ HOUSING: GLASS FILLED NYLON, 6/6, BLACK  
 △ COUPLING RING: POLYESTER, BLACK

213906-1  
 PART NUMBER

THIS DRAWING IS A CONTROLLED DOCUMENT.		DWN D.HARDY 07/04/95	TE Connectivity	
DIMENSIONS: mm(INCHES)		CHK W.G.LENKER 07/05/95		
TOLERANCES UNLESS OTHERWISE SPECIFIED:		APVD A.FRANTUM 07/05/95	NAME	
0 PLC ± -	1 PLC ± -	PRODUCT SPEC	PLUG ASSEMBLY, REVERSE SEX, 17-10, SERIES 6, CIRCULAR PLASTIC CONNECTOR	
2 PLC ± 0.13 [.005]	3 PLC ± 0.013 [.0005]	APPLICATION SPEC	SIZE	CAGE CODE
4 PLC ± -	ANGLES ± -	WEIGHT	A3	00779
MATERIAL	FINISH	CUSTOMER DRAWING	DRAWING NO	C=213906
△	-	SCALE	2:1	SHEET
			1	of 1
				REV
				01