

4

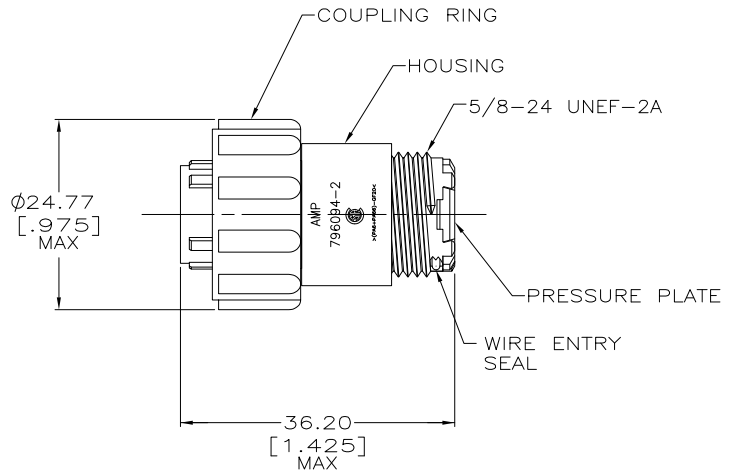
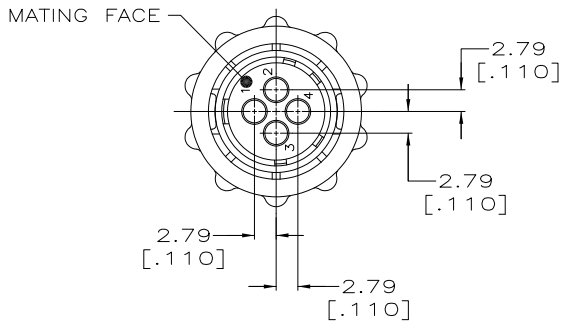
3

2

1

THIS DRAWING IS UNPUBLISHED. RELEASED FOR PUBLICATION
 © COPYRIGHT - By - ALL RIGHTS RESERVED.

LOC	DIST	REVISIONS				
P	LTR	DESCRIPTION	DATE	DWN	APVD	
FT	0					
	B1	REVISED PER ECO-11-004917	11MAR11	RK	HMR	



1. THIS PART WILL ACCEPT FOUR (4) MULTIMATE SOCKET CONTACTS.

△ COUPLING RING, HOUSING, AND PRESSURE PLATE: NYLON, BLACK.
 WIRE ENTRY SEAL: ELASTOMER, RED-IRON OXIDE.

△ PRELIMINARY PART NUMBER.

△	PULL FREE	796094-4
	METAL	796094-3
	STANDARD	796094-2
	COUPLING RING STYLE	PART NUMBER

THIS DRAWING IS A CONTROLLED DOCUMENT.		DWN	31 AUG 98	STE TE Connectivity	
DIMENSIONS: mm [INCHES]		CHK	31 AUG 98	STE TE Connectivity PLUG ASSEMBLY, 11-4, STANDARD SEX, SERIES I, SEALED, CIRCULAR PLASTIC CONNECTOR	
TOLERANCES UNLESS OTHERWISE SPECIFIED:		APVD	31 AUG 98		
0 PLC ± -		NAME	R. WALTER		
1 PLC ± -		PRODUCT SPEC	-		
2 PLC ± 0.13 [0.005]		APPLICATION SPEC	-	SIZE	A3
3 PLC ± -		WEIGHT	-	CAGE CODE	00779
4 PLC ± -		CUSTOMER DRAWING	-	DRAWING NO	C-796094
ANGLES ± -		SCALE	2:1	SHEET	1 of 1
MATERIAL	FINISH			RESTRICTED TO	REV
-	-				B1