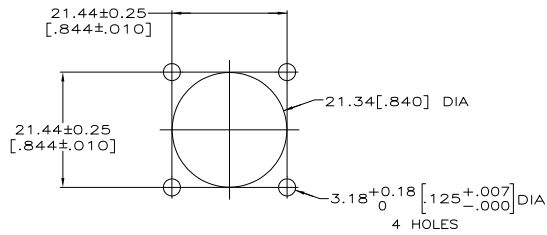
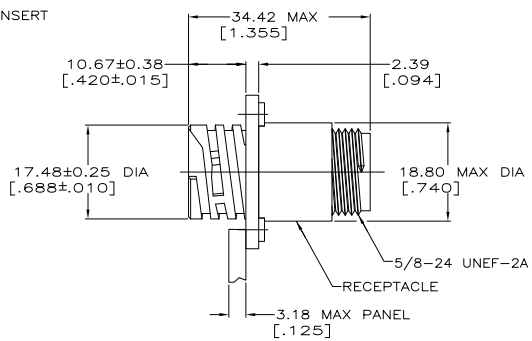
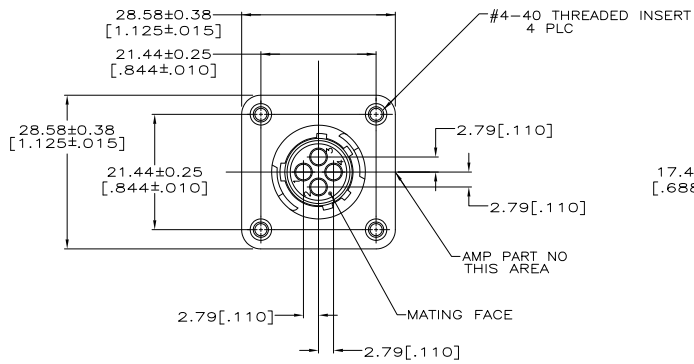


THIS DRAWING IS UNPUBLISHED. RELEASED FOR PUBLICATION  
 © COPYRIGHT - By - ALL RIGHTS RESERVED.

REV	DESCRIPTION	DATE	BY	APPV
A1	REVISED PER ECO-11-005027	11MAR11	RK	HMR



1. CAVITY IDENTIFICATION ON FRONT AND REAR FACE.
2. WILL ACCEPT FOUR (4) MULTIMATE PIN CONTACTS.

THIS DRAWING IS A CONTROLLED DOCUMENT FOR AMP INCORPORATED. IT IS SUBJECT TO CHANGE AND THE CONTROLLING ENGINEERING ORGANIZATION SHOULD BE CONTACTED FOR THE LATEST REVISION.

THIS DRAWING IS A CONTROLLED DOCUMENT.		BY D. HARDY	06-20-04		TE Connectivity	
DIMENSIONS: MM(INCHES)		CHK B. STONE	06-27-04		NAME	RECEPTACLE ASSEMBLY W/ THREADED FASTENERS, SHELL SIZE 11, STANDARD SEX, CPC
TOLERANCES UNLESS OTHERWISE SPECIFIED:		APPV A. FRANTUM	08-09-04		SIZE	A2
0 PLC	± .005	PRODUCT SPEC		CAGE CODE	00779	
1 PLC	± .005	APPLICATION SPEC		DRAWING NO	208130	
2 PLC	± 0.13 (.005)			RESTRICTED TO		
3 PLC	± .005					
4 PLC	± .005					
ANGLES	± .005					
FINISH	± .005					
MATERIAL:		WEIGHT				
HOUSING: THERMOPLASTIC,		CUSTOMER DRAWING		SCALE	2:1	
INSERT: BRASS				SHEET	1 of 1	
				REV	A1	