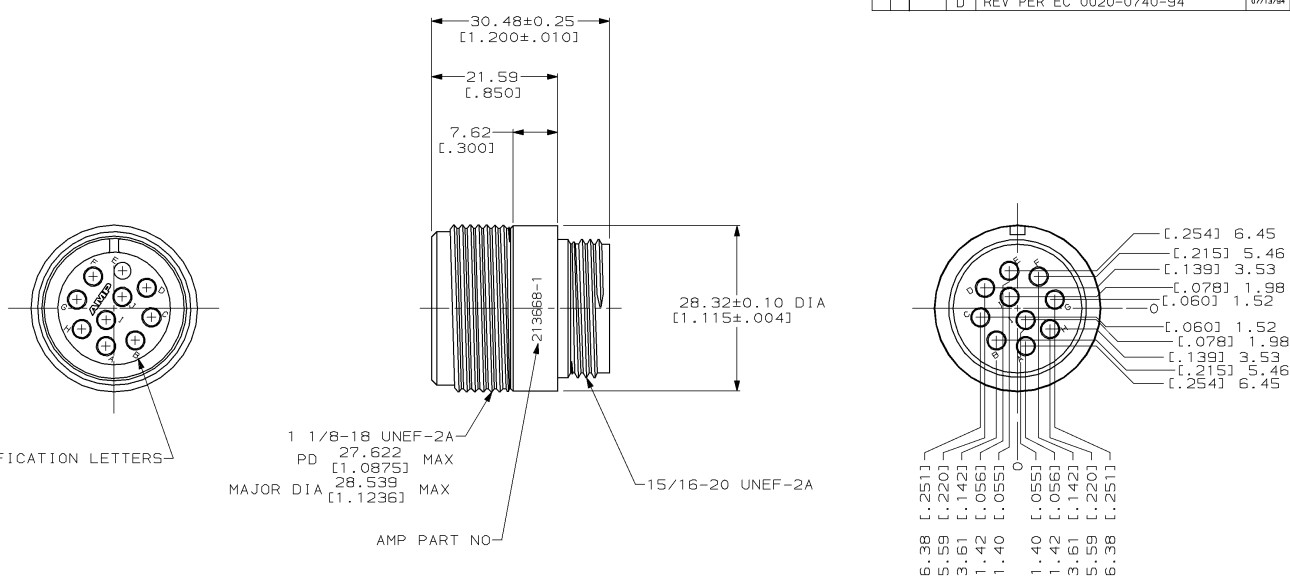


DRAWING MADE IN THIRD ANGLE PROJECTION
 THIS DRAWING IS UNPUBLISHED. RELEASED FOR PUBLICATION
 © COPYRIGHT 19 BY AMP INCORPORATED. ALL INTERNATIONAL RIGHTS RESERVED.

| MOD | LOC | DIST | P | F | ZONE | LTR | DESCRIPTION | DATE | APPD |
|-----|-----|------|---|---|------|-----|---------------------------------|----------|------|
| 4 | BD | 35 | | | | | 0 RLSE, WAS 91-5029-2, NPR 3371 | 4-91 | KB |
| | | | | | | | A REV PER ECN 805278 | 08/13/91 | KB |
| | | | | | | | B REV PER ECN 805637 | 05/28/92 | KB |
| | | | | | | | C REV PER EC 0020-155-94 | 03/16/94 | AF |
| | | | | | | | D REV PER EC 0020-0740-94 | 07/13/94 | AF |



CAVITY IDENTIFICATION LETTERS— BOTH SIDES

1. THIS PART ACCEPTS TYPE III+ SOCKET CONTACTS.

| | | | |
|---|--|--|----------------------|
| | | 213668-1 | |
| | | PART NO | |
| DO NOT SCALE PRINT. UNLESS SPECIFIED DIMENSIONS IN mm [INCHES] TOLERANCES ON : 2 PLC DEC ± 0.13(.005) 3 PLC DEC ± . ANGLES ± 1° | | DR 4-30-91 J McCLINTON | |
| MATERIAL POLYAMID, BLACK | | CHK 5-2-91 R.STONE | |
| FINISH - | | APPD 5-2-91 K.BEAVER | |
| APPLICATION SPEC 114-10004 | | NAME RECEPTACLE HOUSING, 18-10, REVERSE SEX, FREE HANGING, CPC | |
| WEIGHT - | | SIZE C 00779 | DRAWING NO 213668 |
| | | SCALE 2:1 | SHEET 1 OF 1 |

AMP 1471-6 REV 9-89
 13-JUL-94 11:32:02 amp34723 /home/ea026a/dept4023/amp34723/edmod

CUSTOMER DRAWING