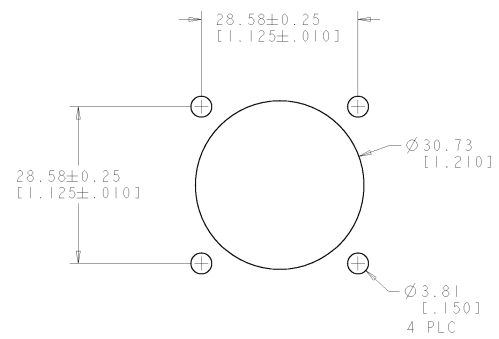
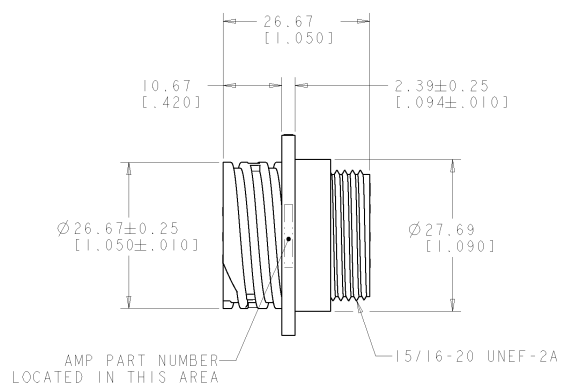
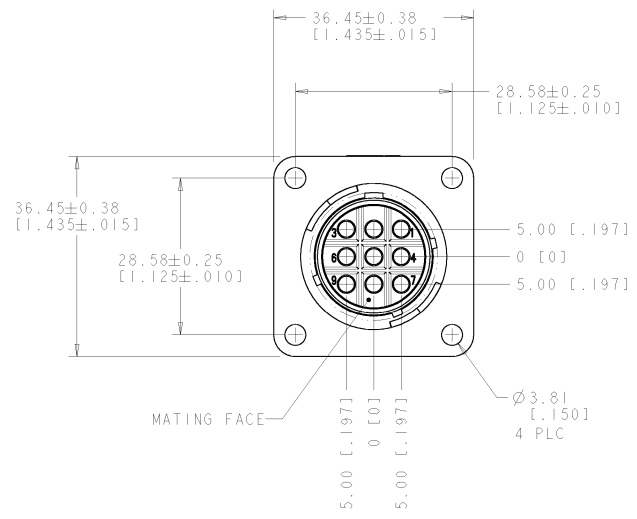


THIS DRAWING IS UNPUBLISHED. RELEASED FOR PUBLICATION  
 (C) COPYRIGHT © BY AMP INCORPORATED. ALL RIGHTS RESERVED.

REV	DATE	BY	CHKD	DESCRIPTION
0	3/10/00	SM	-	RELEASED
A	2/24/00	SM	MC	REVISED EC 0638-0097-00
B	01/28/00	SM	MC	REVISED EC 0638-0280-00



- △ NYLON, BLACK.
- 2. HOUSING WILL ACCEPT NINE MULTIMATE SOCKET CONTACTS.
- 3. CAVITY IDENTIFICATION ON FRONT AND REAR FACE.

RECOMMENDED PANEL CUTOUT  
 3.18 [1.25] MAX PANEL THICKNESS

796439-2  
 PART NUMBER

DIMENSIONS: mm (INCHES)		DWG: S. WELDON SIMAR100 CHK: M. CHACKO SIMAR100 APP: M. CHACKO SIMAR100	<b>AMP</b> AMP Incorporated Harrisburg, PA 17105-3608
0 PLC 1 PLC 2 PLC 3 PLC 4 PLC 5 PLC 6 PLC 7 PLC 8 PLC 9 PLC	0 1 2 3 4 5 6 7 8 9	PRODUCT SPEC APPLICATION SPEC WEIGHT	RECEPTACLE HOUSING, SIZE 17-9, REVERSE SEX, CPC
MATERIAL: △ FINISH: -		CUSTOMER DRAWING	SIZE: A2 CASE CODE: 00779 DRAWING NO: 796439 RESTRICTED TO: - SCALE: 2:1 SHEET 1 OF 1 REV B