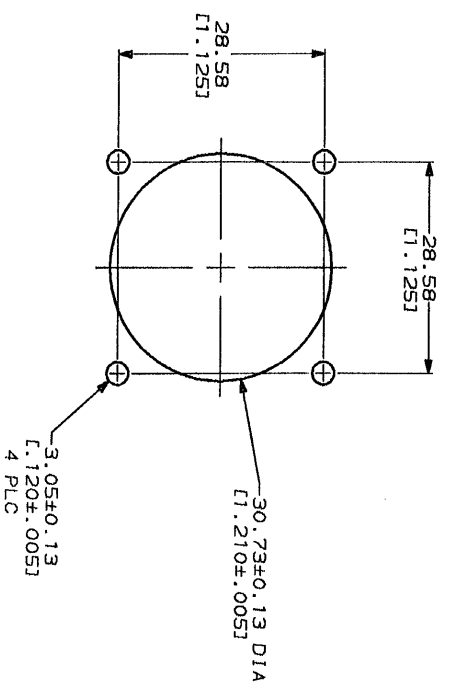
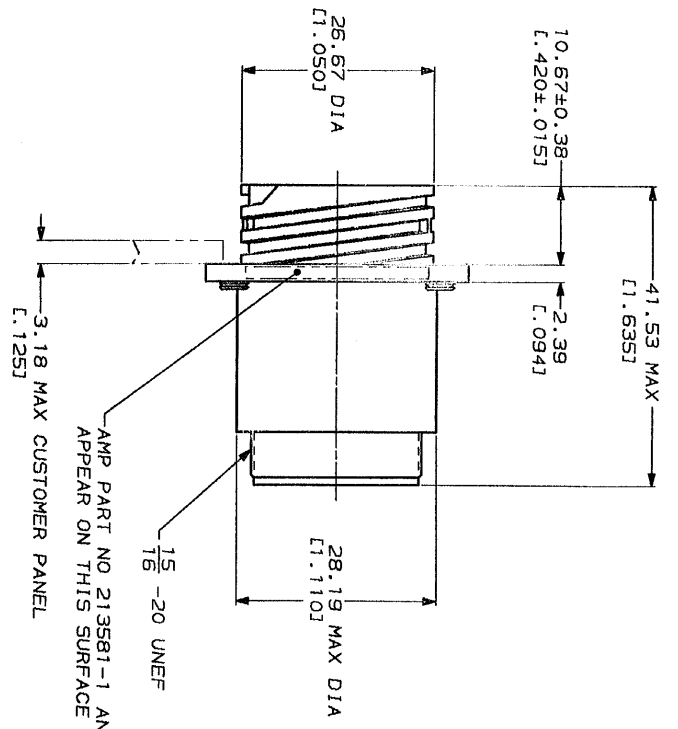
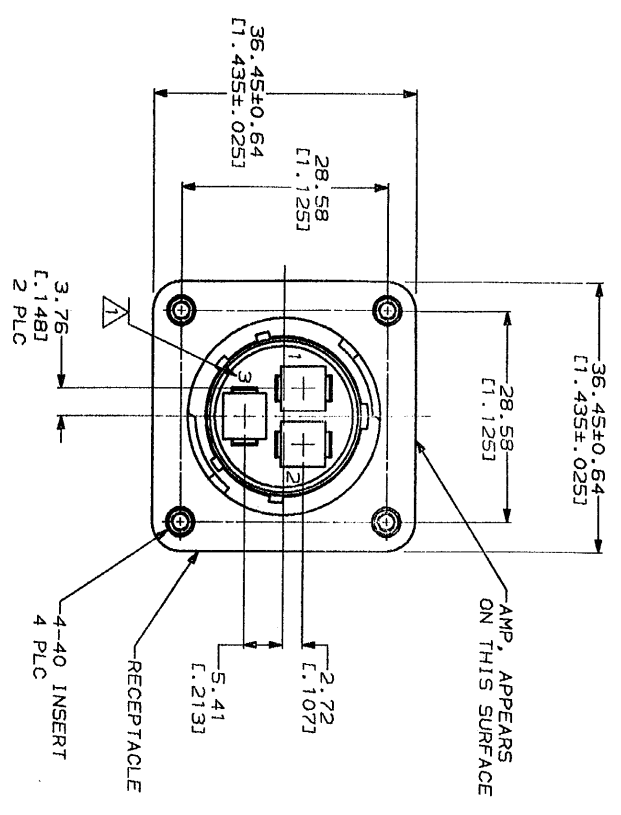


| REV | DATE | APPD | DESCRIPTION |
|-----|------|------|-------------|
| 3   | 3-90 |      | RELEASED    |



△ CAVITY IDENTIFICATION CHARACTERS ON FRONT AND REAR FACE.  
 2. WILL ACCEPT 3 TYPE XII PIN CONTACTS.

**METRIC**

|  |                  |                          |                                  |                                     |   |
|--|------------------|--------------------------|----------------------------------|-------------------------------------|---|
| DO NOT SCALE PRINT.<br>UNLESS SPECIFIED (DIMENSIONS)<br>TOLERANCES IN MILLIMETERS<br>2 PLC DEC ± 0.25(0.010)<br>3 PLC DEC ± 0.25(0.010)<br>ANGLES ± -<br>MATERIAL<br>INSERT: BRASS<br>RECEPTACLE: NYLON, BLACK |                  | DR 3-5-90<br>J McCLINTON | CHK - <i>L. Ste...</i><br>3-8-90 | APPD - <i>M. Kopy...</i><br>3/13/90 | NAME<br>RECEPTACLE ASSEMBLY, 17-3,<br>STANDARD SEX, WITH 4-40 INSERT, CPC |
| FINISH   | APPLICATION SPEC | SCALE                    | SIZE                             | CAGE CODE                           | DRAWING NO  |
| -  | -                | 2:1                      | C                                | 00779                               | 213581  |

213581-1  
PART NO

CUSTOMER DRAWING