

4

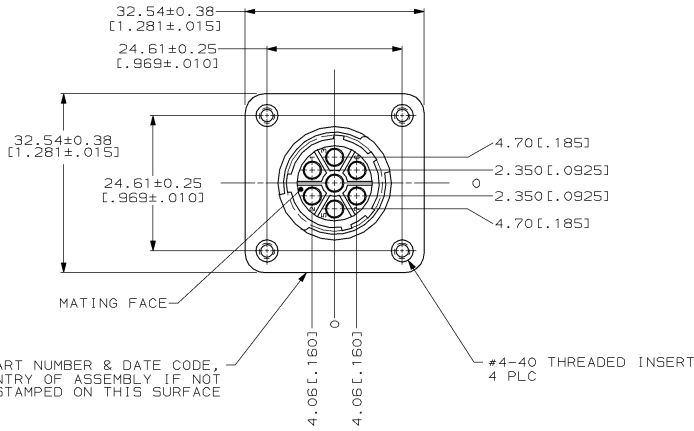
3

2

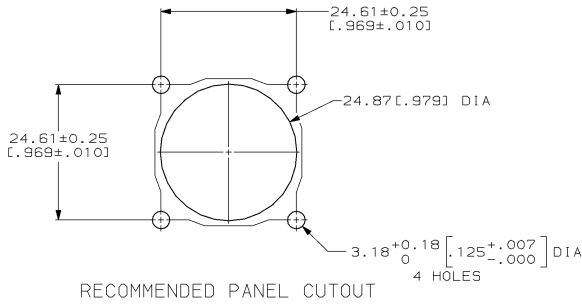
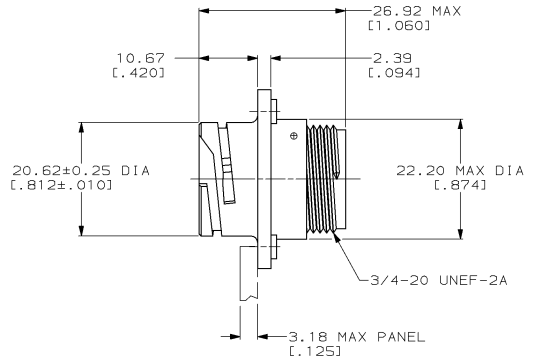
1

THIS DRAWING IS UNPUBLISHED.
 © COPYRIGHT 19 BY AMP INCORPORATED. ALL RIGHTS RESERVED.

LOC	DIST	REV	DESCRIPTION	DATE	BY	APPD
FT	4	0	RLSE PER NPR 12 WAS 96-5029-15	11 SEP 96	-	-



AMP, PART NUMBER & DATE CODE,
 AND COUNTRY OF ASSEMBLY IF NOT
 USA, INK STAMPED ON THIS SURFACE



1. CAVITY IDENTIFICATION ON FRONT AND REAR FACE.
2. WILL ACCEPT SEVEN (7) MULTIMATE SOCKET CONTACTS.

213953-1

PART NUMBER

THIS DRAWING IS A CONTROLLED DOCUMENT.		DN M. BANNER	11 SEP 96	AMP AMP Incorporated Harrisburg, PA 17105-3608										
DIMENSIONS mm (INCHES)		CHK S. STONE	13 SEP 96											
TOLERANCES UNLESS OTHERWISE SPECIFIED.		APPROV K. DOMAGNIER	16 SEP 96	RECEPTACLE ASSEMBLY W/ THREADED FASTENERS, SHELL SIZE 13, REVERSE SEX, CPC										
<table border="1"> <tr><td>Ø PLC</td><td>±.001</td></tr> <tr><td>Ø PLC</td><td>±.001</td></tr> <tr><td>Ø PLC</td><td>±0.13 (.005)</td></tr> <tr><td>Ø PLC</td><td>±0.127 (.0050)</td></tr> <tr><td>Ø PLC</td><td>±.001</td></tr> </table>		Ø PLC	±.001		Ø PLC	±.001	Ø PLC	±0.13 (.005)	Ø PLC	±0.127 (.0050)	Ø PLC	±.001	PRODUCT SPEC 108-10024	APPLICATION SPEC 114-10039
Ø PLC	±.001													
Ø PLC	±.001													
Ø PLC	±0.13 (.005)													
Ø PLC	±0.127 (.0050)													
Ø PLC	±.001													
MATERIAL HOUSING: THERMOPLASTIC, BLACK INSERT: BRASS		FINISH	WEIGHT	CASE CODE 00779										
		CUSTOMER DRAWING		DRAWING NO. C-213953										
				SCALE 2:1										
				SHEET 1 OF 1										
				REV 0										

213953