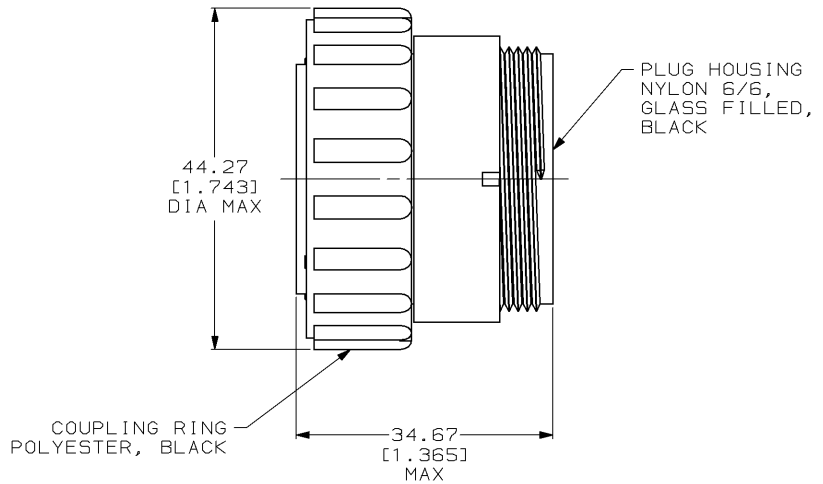
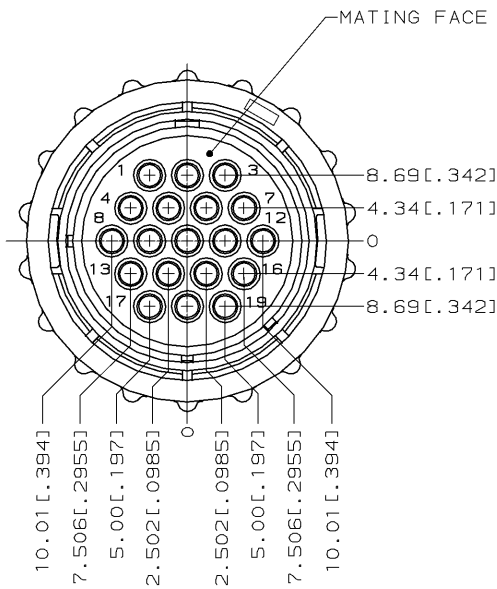


DRAWING MADE IN THIRD ANGLE PROJECTION

THIS DRAWING IS UNPUBLISHED. RELEASED FOR PUBLICATION, 19 .
 © COPYRIGHT 19 BY AMP INCORPORATED. ALL INTERNATIONAL RIGHTS RESERVED.

LOC	DIST	REVISIONS				
P	F	ZONE	LTR	DESCRIPTION	DATE	APPD
		0		RLSE PER NPR 5254 WAS 94-5029-032-01	01/05/95	AF
		A		REV PER EC 0020-68-95	02/08/95	AF
		B		REV PER EC 0320-7-97	16 JAN 97	KD



- CONTACT CAVITIES IDENTIFIED BY CHARACTERS ON FRONT AND REAR FACES OF CONNECTOR.
- THIS CONNECTOR WILL ACCEPT (19) MULTIMATE PIN CONTACTS.

THIS DRAWING IS A CONTROLLED DOCUMENT FOR AMP INCORPORATED. IT IS SUBJECT TO CHANGE AND THE CONTROLLING ENGINEERING ORGANIZATION SHOULD BE CONTACTED FOR THE LATEST REVISION.

		213852-1	
		PART NO	
DO NOT SCALE PRINT. UNLESS SPECIFIED DIMENSIONS IN mm (INCHES) TOLERANCES ON: 2 PLC DEC ± 0.13 (.005) 3 PLC DEC ± - ANGLES ± -		AMP AMP Incorporated Harrisburg, PA 17105-3608	
MATERIAL SEE CALLOUT		NAME PLUG ASSEMBLY, REVERSE SEX, SIZE 23, CPC	
FINISH -		SIZE B 00779	
DR 01/05/95 K.FOLTY CHK 01/09/95 R.STONE APPD 01/10/95 T.COULSON APPD 01/16/95 A.FRANTUM PRODUCT SPEC - APPLICATION SPEC - WEIGHT -		DRAWING NO C=213852	
		SCALE 2:1	
		SHEET 1 OF 1	

AMP 1470-15 REV 3-92
 16-JAN-97 11:32:13 amp06568 /home/ssrv026d/dsk04/dept4023/amp06568/edmod

CUSTOMER DRAWING