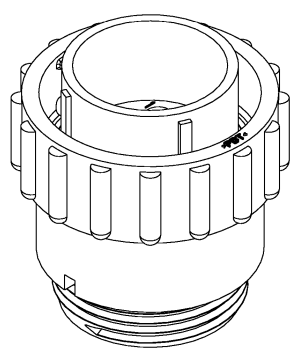
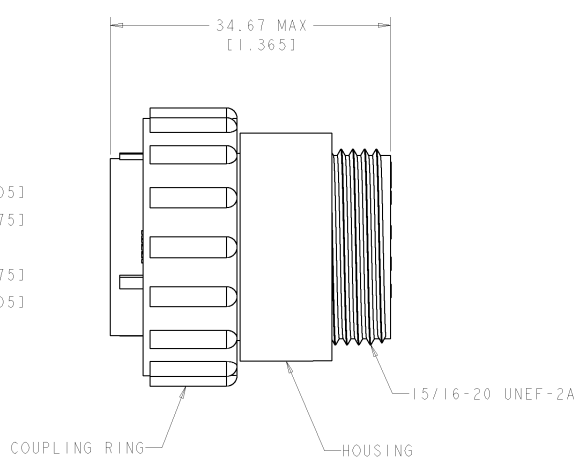
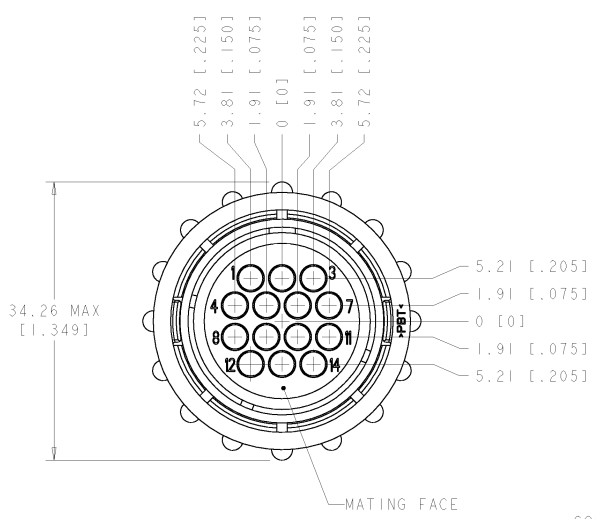


THIS DRAWING IS UNPUBLISHED. RELEASED FOR PUBLICATION  
 © COPYRIGHT © BY AMP INCORPORATED. ALL RIGHTS RESERVED.

REVISIONS				
REV	DATE	BY	CHKD	DESCRIPTION
0	06APR10	SW	-	RELEASED
A	01JUN200	SW	MC	REVISED EC 0638-0280-00



△ HOUSING: NYLON, BLACK  
 COUPLING RING: POLYESTER, BLACK.  
 2. WILL ACCEPT (14) MULTIMATE PIN CONTACTS.

796449-1  
 PART NUMBER

DIMENSIONS: mm( INCHES)		DIMENSIONS: INCHES DECIMALS, ANGLES, OR FRACTIONS		DSN: S. WELDON 06APR10 CHK: M. CHACKO 06APR10 APP: M. CHACKO 06APR10	<b>AMP</b> AMP Incorporated Harrisburg, PA 17105-3608
PRODUCT SPEC: - APPLICATION SPEC: - WEIGHT: -		MATERIAL: △ FINISH: -		SIZE: A2 CASE CODE: 00779 DRAWING NO: 796449	RESTRICTED TO: -
CUSTOMER DRAWING				SCALE: 3:1	SHEET 1 OF 1 REV A