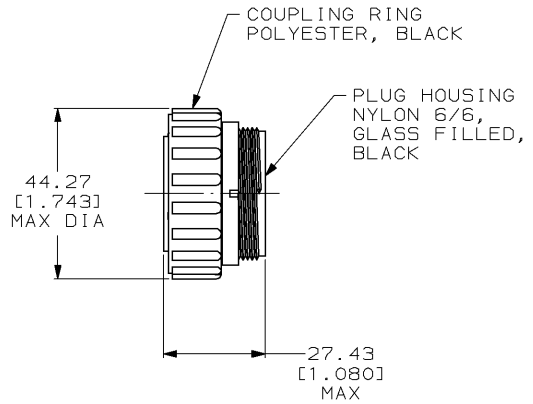
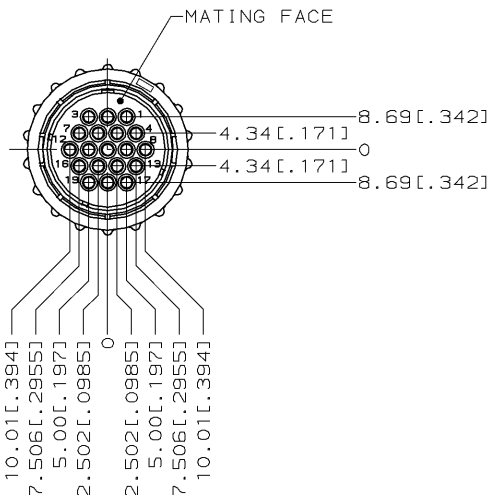


DRAWING MADE IN THIRD ANGLE PROJECTION

THIS DRAWING IS UNPUBLISHED. RELEASED FOR PUBLICATION, 19
 © COPYRIGHT 19 BY AMP INCORPORATED. ALL INTERNATIONAL RIGHTS RESERVED.

LOC	DIST	ZONE	LTR	REVISIONS	DATE	APPD
FT	4					
		0		RLSE PER NPR 5254 WAS 94-5029-035-01	01/05/95	-
		A		REV PER EC 0020-68-95	02/08/95	AF
		B		REV PER EC 0320-7-97	16 JAN 97	KD



213853-1
 PART NUMBER

- CONTACT CAVITIES IDENTIFIED BY CHARACTERS ON FRONT AND REAR FACES OF CONNECTOR.
- THIS CONNECTOR WILL ACCEPT (19) MULTIMATE SOCKET CONTACTS.

DO NOT SCALE PRINT. UNLESS SPECIFIED DIMENSIONS IN mm (INCHES) TOLERANCES ON: 1. PLC DEC ± 0.13 (.005) 2. PLC DEC ± - 3. PLC DEC ± - ANGLES ± -		DR 01/05/95 K.FOLTYZ CHK 01/09/95 R.STONE APPD 01/10/95 T.COULSON APPD 01/16/95 A.FRANTUN	AMP AMP Incorporated Harrisburg, PA 17105-3608
MATERIAL SEE CALLOUT	PRODUCT SPEC -	NAME PLUG ASSEMBLY, STANDARD SEX, SIZE 23, CPC	SIZE B
FINISH -	APPLICATION SPEC -	CAGE CODE 00779	DRAWING NO 213853
WEIGHT -	SCALE 1:1	SHEET 1 OF 1	

AMP 1470-15 REV 11-89
 16-JAN-97 11:35:01 amp06568 /home/ssrv026d/dsk04/dept4023/amp06568/edmod

CUSTOMER DRAWING