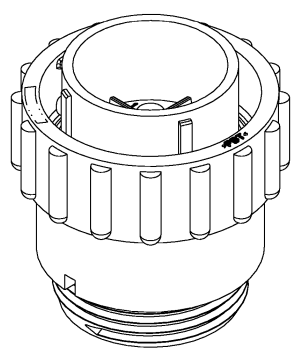
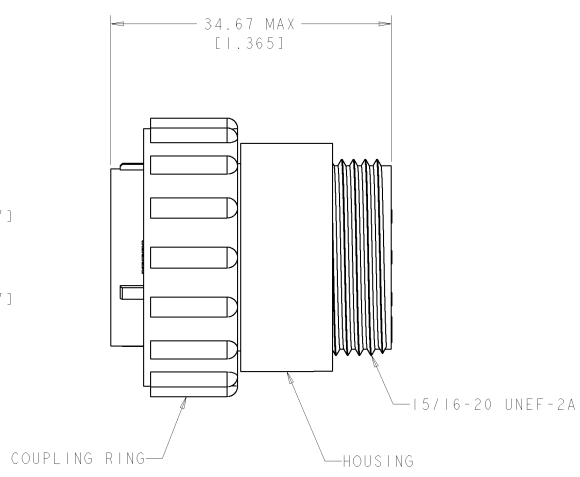
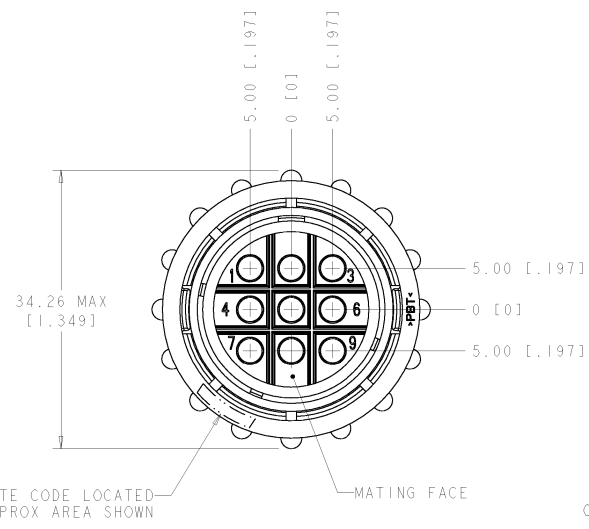


THIS DRAWING IS UNPUBLISHED. RELEASED FOR PUBLICATION
 (C) COPYRIGHT 19 BY TICO ELECTRONICS CORPORATION. ALL RIGHTS RESERVED.

REV	DATE	BY	CHKD	DESCRIPTION
0	06APR100	SW	-	RELEASED
A	01JUN2000	SW	MC	REVISED EC 0638-0280-00
B	15SEP2004	SW	SH	REVISED EC 0638-0775-04



△ HOUSING: NYLON, BLACK
 COUPLING RING: POLYESTER, BLACK.
 2. WILL ACCEPT (9) MULTIMATE PIN CONTACTS.

796450-1
 PART NUMBER

DIMENSIONS: mm (INCHES)		DIMENSIONS ONLY: PLG - .015 H - .015 D - .015 R - .015 ANGLE - 45°		DWG: S. WELDON 06APR100 CHK: M. CHACKO 06APR100 APP: M. CHACKO 06APR100	AMP AMP Incorporated Harrisburg, PA 17105-3600
MATERIAL: NYLON FINISH:		APPLICATION SPEC: - WEIGHT: - CUSTOMER DRAWING:		PRODUCT SPEC: - APPLICATION SPEC: - WEIGHT: - CUSTOMER DRAWING:	SIZE: A2 CASE CODE: 100779 DRAWING NO: 796450 RESTRICTED TO: - SCALE: 3:1 SHEET: 1 OF 1 REV: B