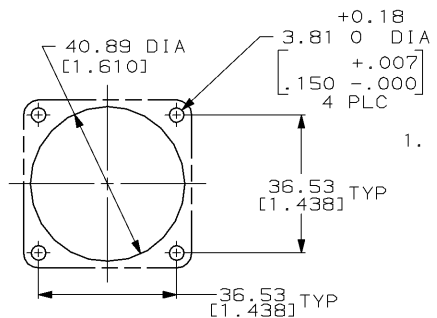
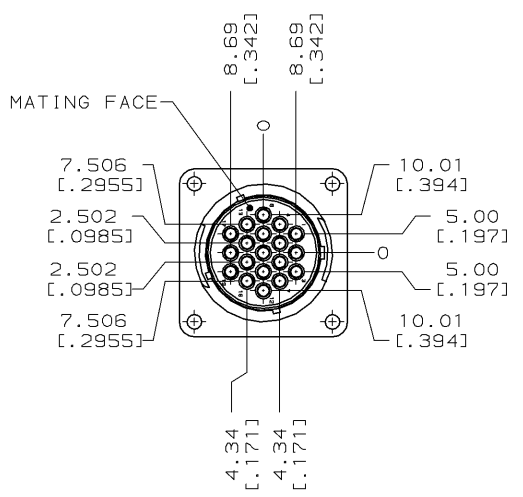
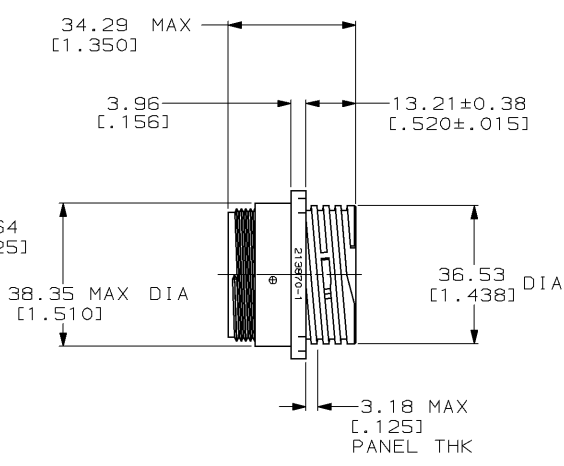
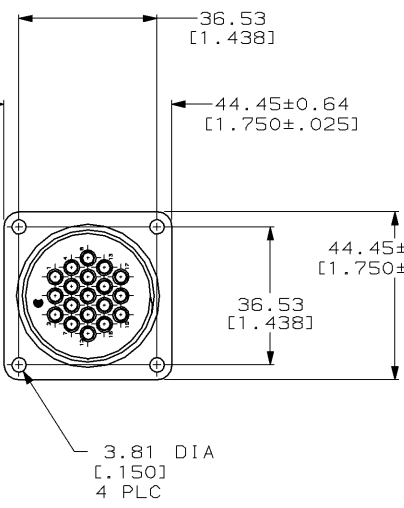


THIS DRAWING IS UNPUBLISHED. RELEASED FOR PUBLICATION, 19 .

© COPYRIGHT 19 BY AMP INCORPORATED. ALL INTERNATIONAL RIGHTS RESERVED.

LOC	DIST	REVISIONS				
P	F	ZONE	LTR	DESCRIPTION	DATE	APPD
		0		RLSE PER NPR 5258 WAS 94-5029-034-01	01/03/95	-
		A		REV PER EC 0020-573-96	30 MAY 96	TW



1. WILL ACCEPT (19) MULTIMATE PIN CONTACTS.

RECOMMENDED PANEL CUTOUT

THIS DRAWING IS A CONTROLLED DOCUMENT FOR AMP INCORPORATED. IT IS SUBJECT TO CHANGE AND THE CONTROLLING ENGINEERING ORGANIZATION SHOULD BE CONTACTED FOR THE LATEST REVISION.

DO NOT SCALE PRINT. UNLESS SPECIFIED DIMENSIONS IN mm (INCHES) TOLERANCES ON: 2 PLC DEC ± 0.25 (.010) 3 PLC DEC ± - ANGLES ± -		DR 01/03/95 K.FOLTZ CHK 01/05/95 R.STONE APPD 01/05/95 T.COULSON APPD 01/12/95 A.FRANTUM	213870-1 PART NO
MATERIAL NYLON, BLACK	PRODUCT SPEC 108-10024	AMP AMP Incorporated Harrisburg, PA 17105-3608	NAME RECEPTACLE HOUSING, STANDARD SEX, SIZE 23, CPC
FINISH -	APPLICATION SPEC -	SIZE B	CAGE CODE 00779
WEIGHT -	DRAWING NO C=213870	SCALE 1:1	SHEET 1 OF 1