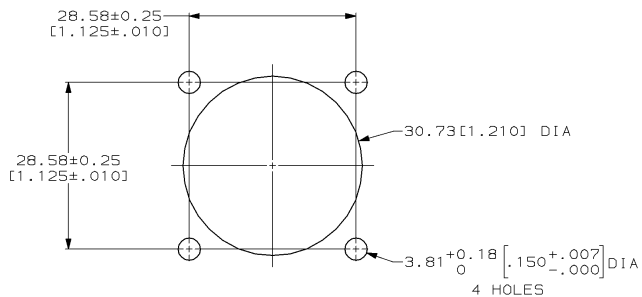
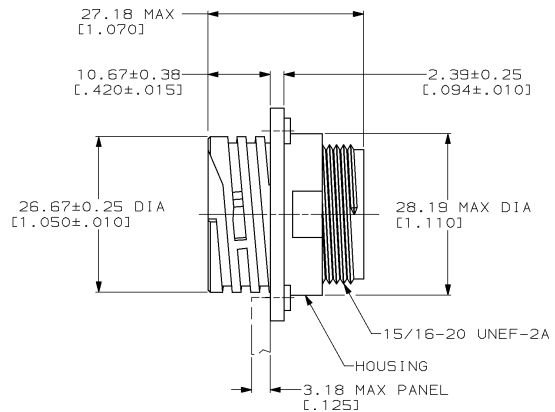
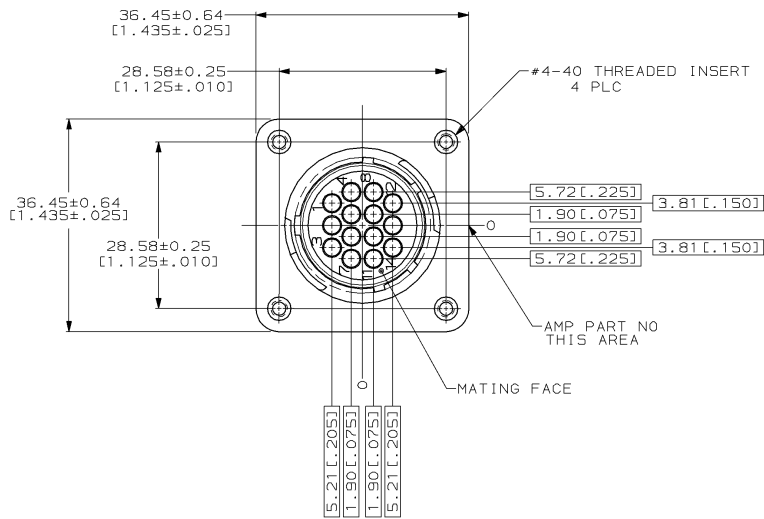


THIS DRAWING IS UNPUBLISHED. RELEASED FOR PUBLICATION, 1994
 © COPYRIGHT 1994 BY AMP INCORPORATED. ALL INTERNATIONAL RIGHTS RESERVED.

REVISIONS									
MOD	LOC	DIST	P	F	ZONE	LTR	DESCRIPTION	DATE	APPD
4	BD	35				A	REDRAWN W/O CHANGE PER EC 0020-600-94	06/21/94	AF



1. CAVITY IDENTIFICATION ON FRONT AND REAR FACE.
2. WILL ACCEPT FOURTEEN (14) MULTIMATE SOCKET CONTACTS.

THIS DRAWING IS A CONTROLLED DOCUMENT FOR AMP INCORPORATED. IT IS SUBJECT TO CHANGE AND THE CONTROLLING ENGINEERING ORGANIZATION SHOULD BE CONTACTED FOR THE LATEST REVISION.

DO NOT SCALE PRINT. UNLESS SPECIFIED DIMENSIONS IN mm [INCHES] TOLERANCES ON :		DR 06-21-94 D.HARDY		PART NO 211103-1	
2 PLC DEC ± -		CHK 06-28-94 R.STONE		AMP Incorporated Harrisburg, PA 17105-3608	
3 PLC DEC ± -		APPD 08-09-94 A.FRANTUM			
ANGLES ± -		APPD 08-09-94 A.FRANTUM		NAME	
MATERIAL HOUSING: THERMOPLASTIC, BLACK INSERT: BRASS		PRODUCT SPEC -		RECEPTACLE ASSEMBLY W/ THREADED FASTENERS, SHELL SIZE 17, REVERSE SEX, CPC	
FINISH -		APPLICATION SPEC -		DRAWING NO	
		SIZE		CAGE CODE	
		C		00779	
		SCALE		DRAWING NO	
		2:1		C=211103	
		WEIGHT -		SHEET	
				1 OF 1	