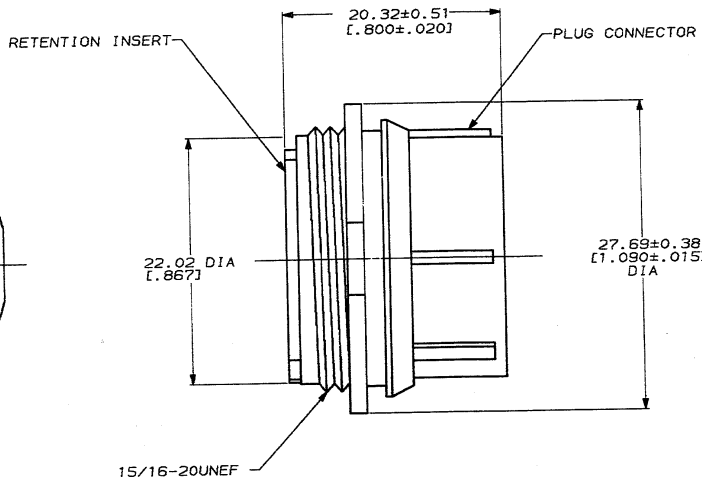
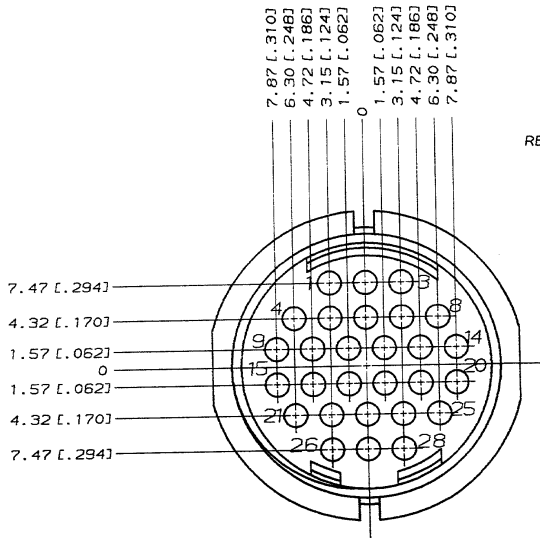


DRAWING MADE IN THIRD ANGLE PROJECTION  
 THIS DRAWING IS UNPUBLISHED. RELEASED FOR PUBLICATION  
 BY AMP INCORPORATED. ALL INTERNATIONAL RIGHTS RESERVED.

REVISIONS							
NO.	LOC.	DATE	BY	ZONE	LTR	DESCRIPTION	DATE
23	BD	39				RELEASED PER NPR 3182	10/18/90



- CONTACT CAVITIES IDENTIFIED BY CHARACTERS ON FRONT AND REAR FACE OF CONNECTOR.
- PLUG WILL ACCEPT 28 SIZE 20 SOCKET CONTACTS.

DO NOT SCALE PRINT. UNLESS SPECIFIED DIMENSIONS IN mm [INCHES]		DR 10/18/90 W.G. LEMKER		AMP AMP Incorporated Harrisburg, PA 17105-3608	
TOLERANCES ON + 2 PLC DEC ± 0.13 [0.005]		CHK <i>Miller</i> 11-19-90	NAME		213626-1
3 PLC DEC ± -		APPD <i>H. Boese</i> 11-19-90	PLUG ASSEMBLY, SIZE 17-28, CLASS A, CPC		PART NO
ANGLES ± -		APPD <i>S. Poljan</i> 11/14/90	DRAWING NO		213626
MATERIAL	NYLON, BLACK	PRODUCT SPEC	SIZE	CAGE CODE	SHEET
FINISH	-	APPLICATION SPEC	4	00779	1 OF 1
WEIGHT	-	SCALE	4:1	CUSTOMER DRAWING	

213626