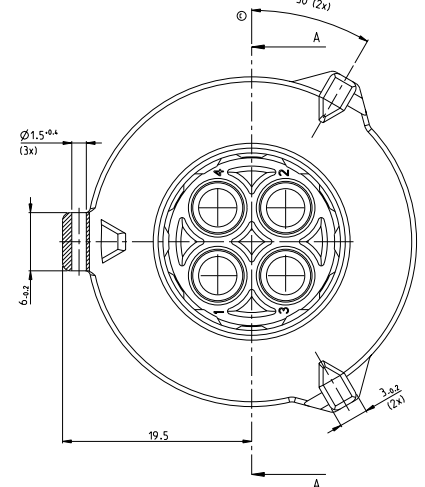
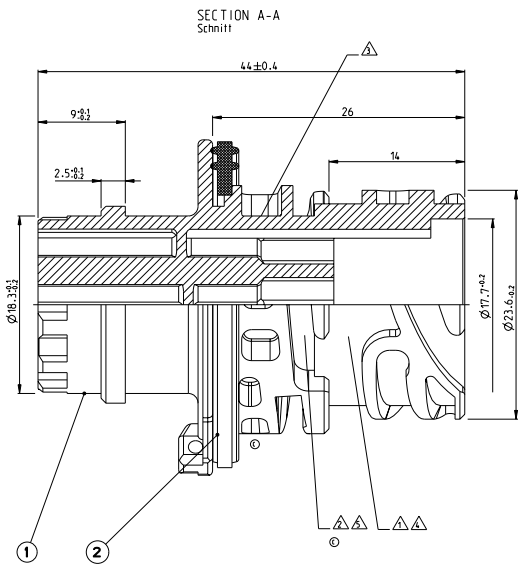
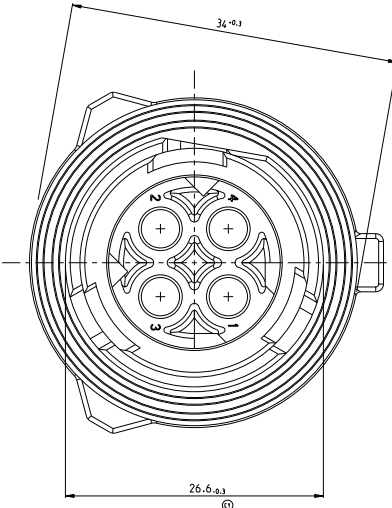


8	7	6	5	4	3	2	1
---	---	---	---	---	---	---	---

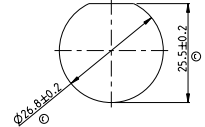


REV.	DATE	DESCRIPTION	BY	CHK
01	17.12.2019	2.5MM PIN HOUSING, 2-4POS., ASSY	ELC	JS
02	17.12.2019	2.5MM PIN HOUSING, 2-4POS., ASSY	ELC	JS
03	17.12.2019	2.5MM PIN HOUSING, 2-4POS., ASSY	ELC	JS

NOTES:  
Bemerkungen:

- ① AMP OR Tyco Electronics (TE) LOGO AND TE SINGLE PART-NUMBER AMP oder Tyco Electronics (TE) Logo und TE Einzelteilnummer
- ② MATERIAL MARKING Werkstoffkennzeichnung
- ③ REVISION OF THE MOULD Werkzeugänderungsindex
- ④ PRODUCTION DATE Produktionsdatum
- ⑤ CAVITY MARKING Nestmarkierung
- ⑥ FOR SUITABLE CONTACTS AND SEALS SEE DRAWING 1355064 Zu verwendende Kontakte und Einzelzeichnungen siehe Tabellenzeichnung
- ⑦ MAX. WIRE THICKNESS: 2.5mm<sup>2</sup> FLR max. Drahtgröße: 2.5mm<sup>2</sup> FLR
- ⑧ PANEL MOUNTING WITH FIXING RING TE-NO. 965687-1 Hinterwandmontage mit Befestigungsring TE-Nr. 965687-1
- ⑨ COUPLING PART ACC. TO DIN 72585 / ISO 15170 Kupplungsreihe nach DIN 72585 / ISO 15170
- ⑩ IN THE CASE OF NEW DESIGNS, THE DIMENSIONS OF THE CUT OFF SHOULD BE PLACED NEAR THE LOWER TOLERANCE LIMIT Bei Neukonstruktionen sollten die Maße des Bechschmittes an die untere Toleranzgrenze geteilt werden

⑩ CUT OFF (MATERIAL THICKNESS: 2.5 ± 0.1 MM) Befestigungsausschnitt (Materialstärke: 2.5 ± 0.1 mm)



⑥		⑦		⑧		⑨		⑩		MATERIAL	COLOUR FACT	DESCRIPTION Beschreibung
1, 2, 3, 4	D	1, 2, 3, 4	D	1, 2	D	1, 2, 3	D	1, 2	D			
X	X	X	X	X	X	X	X	X	X	2	1	SILICONE GREEN SEALING ⑩
X	-	-	-	-	-	-	-	-	-	1	1	PBT-GF20 BLUE Bsp. APOS. PIN HOUSING ⑩
-	X	-	-	-	-	-	-	-	-	1	1	PBT-GF20 GREEN APOS. PIN HOUSING ⑩
-	-	X	-	-	-	-	-	-	-	1	1	PBT-GF20 GREY 2POS. PIN HOUSING ⑩
-	-	-	X	-	-	-	-	-	-	1	1	PBT-GF20 BLACK APOS. PIN HOUSING ⑩
-	-	-	-	X	-	-	-	-	-	1	1	PBT-GF20 GREY APOS. PIN HOUSING ⑩
-	-	-	-	-	X	-	-	-	-	1	1	PBT-GF20 BLACK APOS. PIN HOUSING ⑩
-	-	-	-	-	-	X	-	-	-	1	1	PBT-GF20 BLACK APOS. PIN HOUSING ⑩
-	-	-	-	-	-	-	X	-	-	1	1	PBT-GF20 BLACK APOS. PIN HOUSING ⑩

TE-NO. 965687-1	0000000000	0000000000	0000000000
0000000000	0000000000	0000000000	0000000000
0000000000	0000000000	0000000000	0000000000
0000000000	0000000000	0000000000	0000000000
0000000000	0000000000	0000000000	0000000000