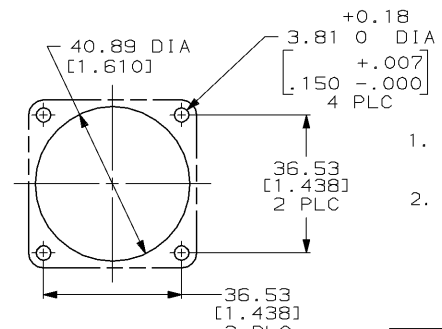
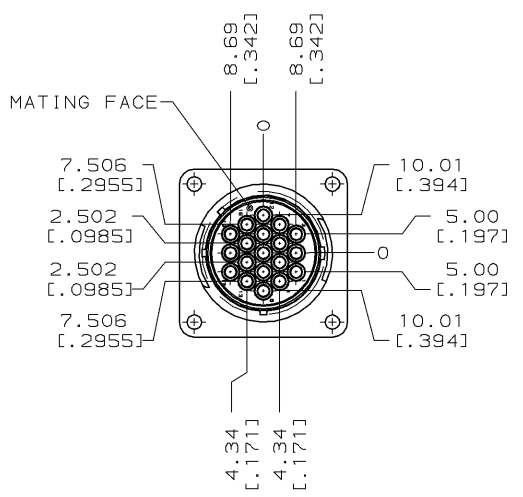
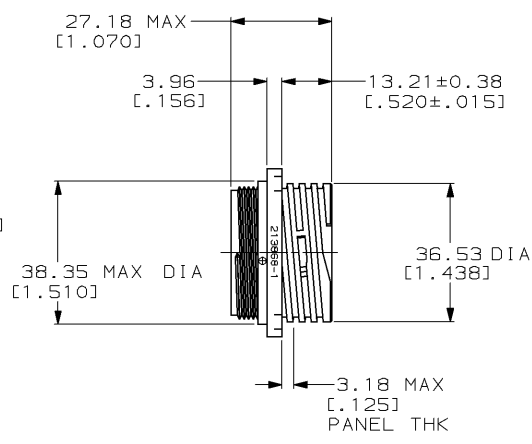
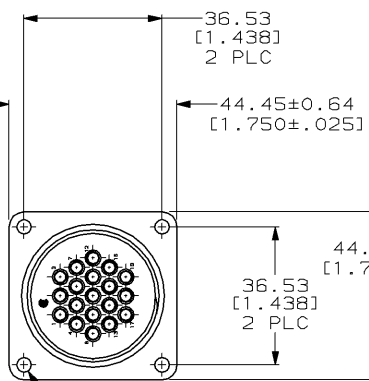


THIS DRAWING IS UNPUBLISHED.		RELEASED FOR PUBLICATION		, 19		MOD 4		LOC BD		DIST 35		REVISIONS			
© COPYRIGHT 19 BY AMP INCORPORATED. ALL INTERNATIONAL RIGHTS RESERVED.						P F		ZONE LTR		DESCRIPTION		DATE		APPD	
										0 RLSE PER NPR 5258 WAS 94-5029-031-01		01/03/95		-	



1. WILL ACCEPT (19) MULTIMATE SOCKET CONTACTS.
2. CONTACT CAVITIES IDENTIFIED BY CHARACTERS ON FRONT AND REAR FACES OF CONNECTOR.

THIS DRAWING IS A CONTROLLED DOCUMENT FOR AMP INCORPORATED. IT IS SUBJECT TO CHANGE AND THE CONTROLLING ENGINEERING ORGANIZATION SHOULD BE CONTACTED FOR THE LATEST REVISION.

RECOMMENDED PANEL CUTOUT

DO NOT SCALE PRINT. UNLESS SPECIFIED DIMENSIONS IN mm [INCHES] TOLERANCES ON: 2 PLC DEC ± 0.25 (.010) 3 PLC DEC ± - ANGLES ± -		DR 01/03/95 K.FOLTZ	213868-1 PART NO	
MATERIAL NYLON, BLACK	FINISH -	CHK 01/05/95 R.STONE	AMP Incorporated Harrisburg, PA 17105-3608	NAME RECEPTACLE HOUSING, REVERSE SEX, SIZE 23, CPC
PRODUCT SPEC 108-10024	APPLICATION SPEC -	APPD 01/05/95 T.COULSON APPD 01/12/95 A.FRANTUM	SIZE B	
WEIGHT -		SCALE 2:1	CAGE CODE 00779	DRAWING NO C=213868
		SHEET 1 OF 1		

AMP 1470-15 REV 3-92

03-JAN-95 10:38:46 amp33732 /home/sa026a/dept4023/amp33732/edmmod

CUSTOMER DRAWING