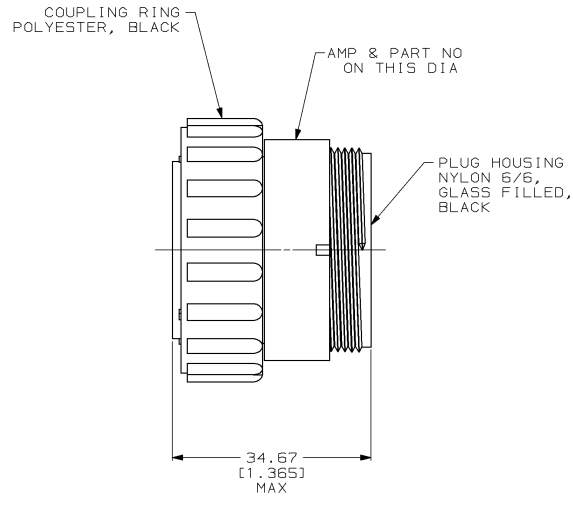
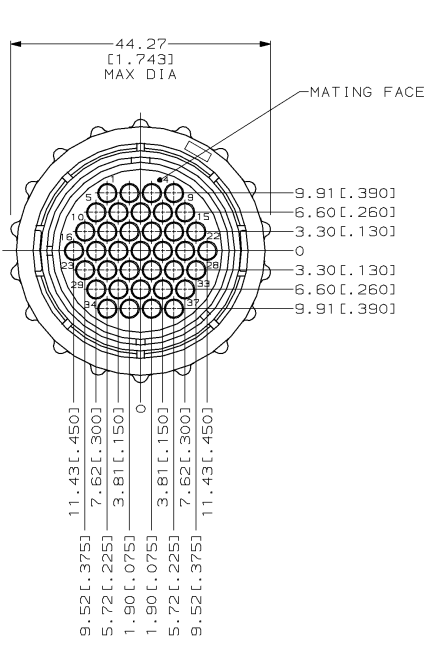


DRAWING MADE IN THIRD ANGLE PROJECTION
 THIS DRAWING IS UNPUBLISHED. RELEASED FOR PUBLICATION
 © COPYRIGHT 19 BY AMP INCORPORATED. ALL INTERNATIONAL RIGHTS RESERVED.

LOC	DIST	P	F	ZONE	LTR	DESCRIPTION	DATE	APPD
FT	4							
					0	RLSE PER NPR 5254 WAS 94-5029-026-01	01/04/95	AF
					A	REV PER EC 0020-68-95	03/07/95	AF
					B	REV PER EC 0320-7-97	18 JAN 97	KD



- CONTACT CAVITIES IDENTIFIED BY CHARACTERS ON FRONT AND REAR FACES OF CONNECTOR.
- THIS CONNECTOR WILL ACCEPT (37) MULTIMATE PIN CONTACTS.

213850-1
 PART NUMBER

DO NOT SCALE PRINT. UNLESS SPECIFIED DIMENSIONS IN mm [INCHES] TOLERANCES ON + 2 PLC DEC ±0.13 [0.005] 3 PLC DEC ± - ANGLES ± -		DR 01/04/95 K.FOLTZ	AMP Incorporated Harrisburg, PA 17105-3608	
MATERIAL SEE CALLOUT		CHK 01/09/95 R.STONE		
FINISH -		APPD 01/10/95 T.COULSON	PLUG ASSEMBLY, REVERSE SEX, SIZE 23, SERIES I, CPC	
APPLICATION SPEC -		PRODUCT SPEC -	SIZE C 00779	DRAWING NO 213850
WEIGHT -		SCALE 2:1	CAGE CODE	SHEET 1 OF 1