

4

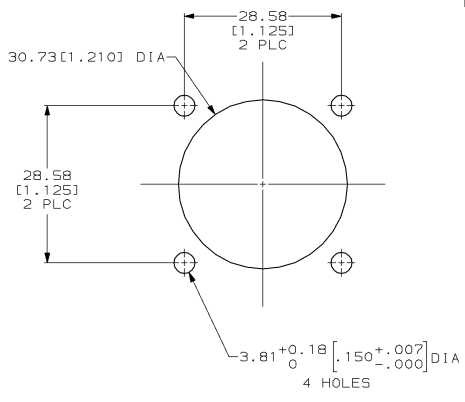
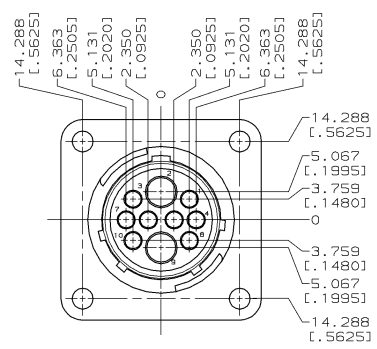
3

2

1

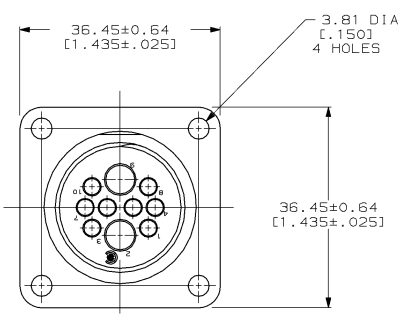
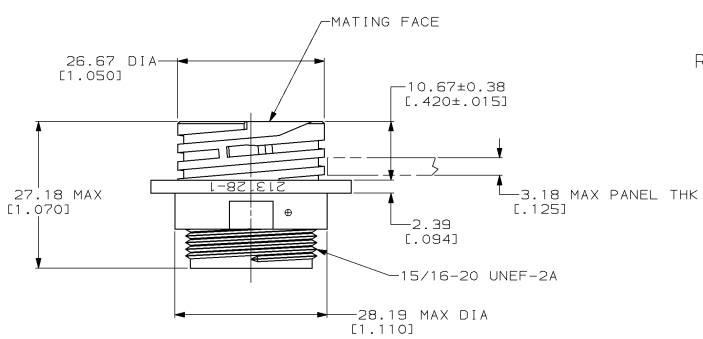
THIS DRAWING IS UNPUBLISHED. "RELEASES" FOR PUBLICATION BY AMP INCORPORATED. ALL RIGHTS RESERVED. © COPYRIGHT 19

LOC	QTY	REV	DESCRIPTION	DATE	BY	APP
BD	35	A	REDRAW ON CAD EC 0020-532-95	05/18/95	-	-



RECOMMENDED PANEL CUTOUT

1. THIS CONNECTOR WILL ACCEPT TWO TYPE I, SIZE 12 SOCKET CONTACTS AND EIGHT MULTIMATE SOCKET CONTACTS.
2. TYPE I CONTACTS MATE FIRST, BREAK LAST.
3. MAX WIRE INSULATION USED WITH THIS RECEPTACLE IS 2.67 [1.05] DIA FOR MULTIMATE SOCKET CONTACTS.



213128-1  
 PART NUMBER

<small>THIS DRAWING IS UNPUBLISHED. "RELEASES" FOR PUBLICATION BY AMP INCORPORATED. ALL RIGHTS RESERVED. © COPYRIGHT 19</small>		DWN C. OBERMAN 05/18/95 CHK S. STONE 5-23-95 APP A. FERANTUM PRODUCT SPEC	<b>AMP</b> AMP Incorporated Harrisburg, PA 17105-3608
DIMENSIONS: mm (INCHES) 9 PLC ± 9 PLC ± 9 PLC ±0.25 (1.010) 9 PLC ±0.250 (1.0100) 4 PLC ± ANGLES ±	DIMENSIONS: mm (INCHES) 9 PLC ± 9 PLC ± 9 PLC ±0.25 (1.010) 9 PLC ±0.250 (1.0100) 4 PLC ± ANGLES ±	NAME RECEPTACLE, ARR 17-10M, REVERSE SIZE 17-10M CASE CODE DRAWING NO. A2 00779 CUSTOMER DRAWING	SQUARE FLANGE, CPC SCALE 2:1 SHEET 1 OF 1 REV A

AMP 1471-B REV 03/19/94  
 18-MAY-95 05:46:17 amp0558 /home/ast05c/dsp4023/amp0558/edmod

213128-1