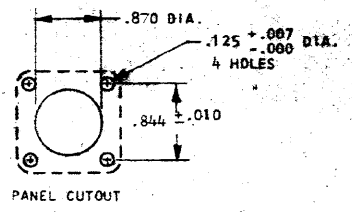
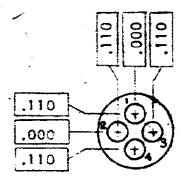
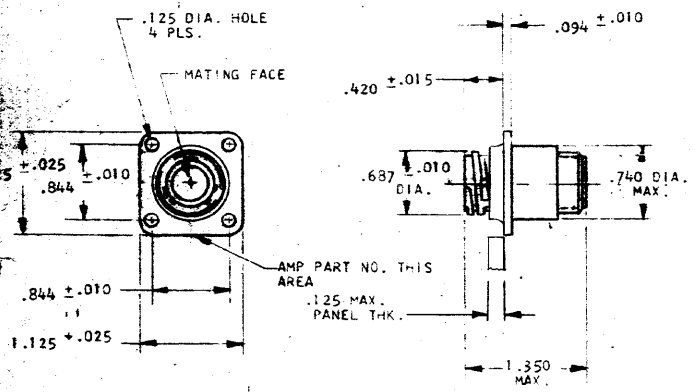


THIRD ANGLE PROJECTION
 UNPUBLISHED. RELEASED FOR PUBLICATION
 BY AMP INCORPORATED, HARRISBURG, PA. ALL INTERNATIONAL RIGHTS
 AMP PRODUCTS MAY BE COVERED BY U.S. AND FOREIGN PATENTS AND/OR PATENTS PENDING.

211427-1 1. AS SHOWN
 2. NORMAL KEYING.

| REVISED | | DATE | APPROVED |
|---------|---|--------------------|----------|
| ✓ | A | REV. PER ECN K-385 | 12-20-61 |



- CONTACT CAVITIES IDENTIFIED BY CHARACTERS ON FRONT AND REAR FACES.
- THIS CONNECTOR WILL ACCEPT (4) MULTIMATE PIN CONTACTS.

| | | | | | |
|---|--|---|--|-------------------------------------|-------------------|
| UNLESS OTHERWISE SPECIFIED DIMENSIONS ARE IN INCHES. TOLERANCES ON: .005 DECIMALS .004 ANGLES | | CONTRACT NO. DP: <i>Tom S. Smith 1/1/63</i> | | AMP INCORPORATED Harrisburg, Pa. | |
| MATERIAL THERMOPLASTIC COLOR: GREY | | NAME CPC. RECEPTACLE ARRANGEMENT 11-4, STD. SEX., CLASS A | | PART NO. | |
| FINISH H | | OTHER APPD | | SIZE B | FSCM NO. 00779 |
| | | | | DRAWING NO. 211427 | 1 OF 1 |

REV 2-61

AMP