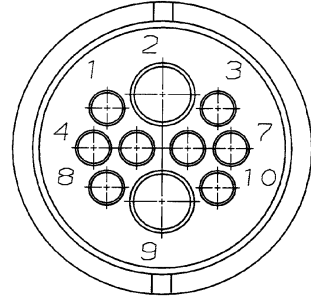
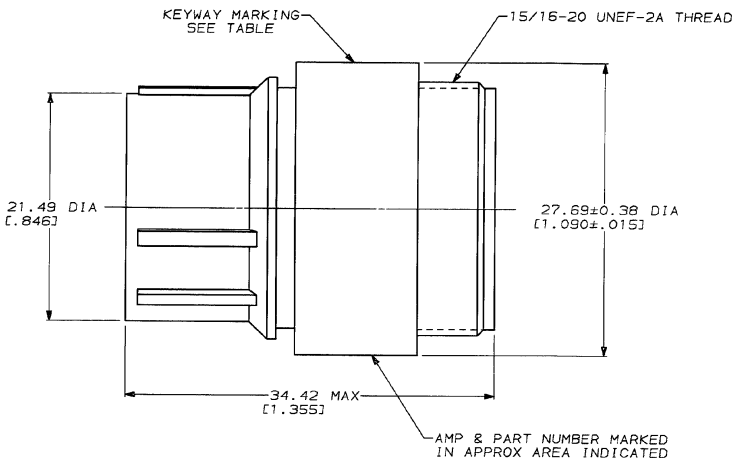


4  
DRAWING MADE IN THIRD ANGLE PROJECTION  
THIS DRAWING IS UNPUBLISHED. RELEASED FOR PUBLICATION , 19  
© COPYRIGHT 19 BY AMP INCORPORATED. ALL INTERNATIONAL RIGHTS RESERVED.

MOD	LOC	DIST	P	F	ZONE	LTR	DESCRIPTION	DATE	APPR
4	BD	35					D RELEASED -3 NPR 2564	11/03/89	-
							A OBSOLETE -2 EC 0020-271-93	06/03/92	AF



1. THIS PLUG WILL ACCEPT 2 TYPE 1, SIZE 12 PIN CONTACTS AND 8 MULTIMATE PIN CONTACTS.
  2. MAXIMUM WIRE INSULATION ACCEPTED BY THIS PLUG IS 2.67[.105] DIAMETER FOR MULTIMATE PIN CONTACTS.
- ③ WHITE STRIPE INDICATES MAJOR KEYWAY.  
 ④ WHITE DOT INDICATES MAJOR KEYWAY.

OBsolete	△	213130-3
	△	213130-2
	-	213130-1
	KEYWAY MARKING	PART NO

DO NOT SCALE PRINT. UNLESS SPECIFIED	DR 11/03/89 G. WELDON	AMP INCORPORATED Harrisburg, Pa. 17105		
DIMENSIONS IN mm (INCHES)	CHK 11-8-89 R. STONE			
TOLERANCES ON:	APPD 11-8-89 M. KAPEZYNSKI	NAME PLUG, CPC, ARRANGEMENT 17-10M, REVERSE SEX, SERIES 4, CLASS A		
2 PLG DEC ± 0.13 [.005]	PRODUCT SPEC			
3 PLG DEC ± -	APPD 11-8-89 G. J. SACUNAS	SIZE	CAGE CODE	DRAWING NO
ANGLES ± -		<b>C</b>	00779	213130
MATERIAL		SCALE		SHEET
UL 94V-0 RATED, NYLON BLACK		4:1		1 OF 1
FINISH	APPLICATION SPEC			
-				
WEIGHT				
-				

AMP 1471-4 REV 6-89  
03-AUG-93 08:56:28 amp25061 /home/sa026e/dt4023/amp25061/ec0221

CUSTOMER DRAWING

213130

A