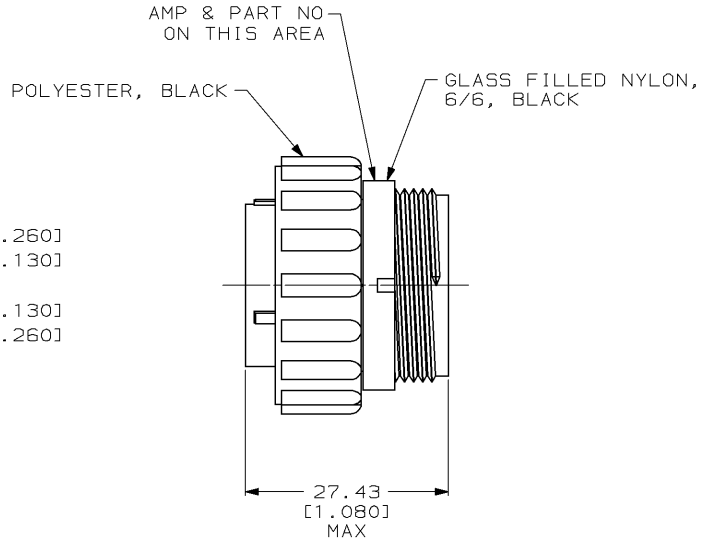
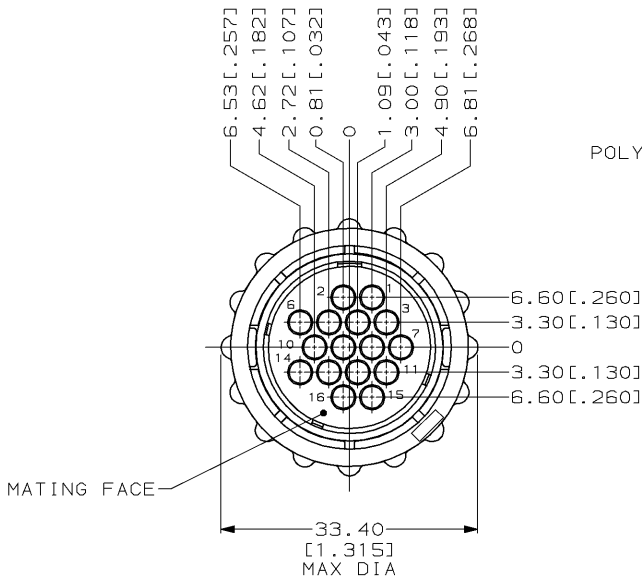


DRAWING MADE IN THIRD ANGLE PROJECTION

THIS DRAWING IS UNPUBLISHED. RELEASED FOR PUBLICATION, 19 .
 © COPYRIGHT 19 BY AMP INCORPORATED. ALL INTERNATIONAL RIGHTS RESERVED.

LOC	DIST	P	F	ZONE	LTR	REVISIONS	DESCRIPTION	DATE	APPD
FT	4					0	RLSE PER NPR 5254 WAS 94-5029-023-01	01/04/95	-
						A	REV PER EC 0020-68-95	02/08/95	AF
						B	REV PER EC 0320-244-97	06 OCT 97	KD



- CONTACT CAVITIES IDENTIFIED BY CHARACTERS ON FRONT AND REAR FACES OF CONNECTOR.
- THIS CONNECTOR WILL ACCEPT (16) MULTIMATE SOCKET CONTACTS.

THIS DRAWING IS A CONTROLLED DOCUMENT FOR AMP INCORPORATED. IT IS SUBJECT TO CHANGE AND THE CONTROLLING ENGINEERING ORGANIZATION SHOULD BE CONTACTED FOR THE LATEST REVISION.

		213849-1	
		PART NO	
DO NOT SCALE PRINT. UNLESS SPECIFIED DIMENSIONS IN mm [INCHES] TOLERANCES ON: 2 PLC DEC ± 0.13 (.005) 3 PLC DEC ± - ANGLES ± -		AMP AMP Incorporated Harrisburg, PA 17105-3608	
MATERIAL SEE CALLOUTS		NAME PLUG ASSEMBLY, STANDARD SEX, SIZE 17, SERIES I, CPC	
FINISH -		SIZE B	CAGE CODE 00779
		DRAWING NO C=213849	
		SCALE 2:1	SHEET 1 OF 1

AMP 1470-15 REV 3-92 06-OCT-97 10:38:57 amp40973 /home/ssrv026d/dsk04/dept4023/amp40973/edmod

CUSTOMER DRAWING