

4

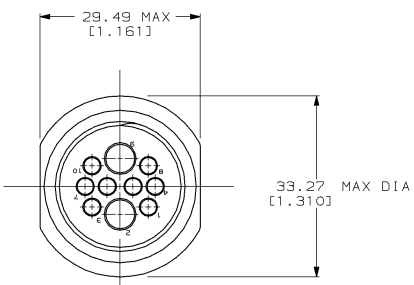
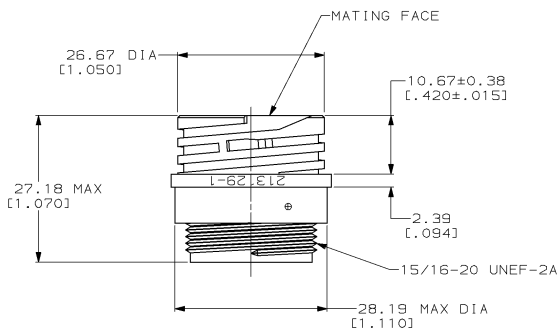
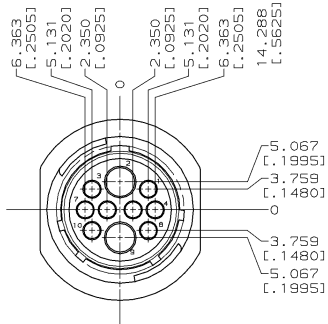
3

2

1

THIS DRAWING IS UNPUBLISHED. "RELEASE" FOR PUBLICATION
 BY AMP INCORPORATED. ALL RIGHTS RESERVED.

| LOC | QTY | REV | DESCRIPTION | DATE | BY | APP |
|-----|-----|-----|------------------------------|----------|----|-----|
| BD | 35 | E | REDRAW ON CAD EC 0020-532-95 | 05/23/95 | - | - |



1. THIS CONNECTOR WILL ACCEPT TWO TYPE I, SIZE 12 SOCKET CONTACTS AND EIGHT MULTIMATE SOCKET CONTACTS.
2. TYPE I CONTACTS MATE FIRST, BREAK LAST.
3. MAX WIRE INSULATION USED WITH THIS RECEPTACLE IS 2.67 [1.05] DIA FOR MULTIMATE SOCKET CONTACTS.

213129-1
 PART NUMBER

| | | | |
|--|---|--|---|
| <small>THIS DRAWING IS UNPUBLISHED. "RELEASE" FOR PUBLICATION BY AMP INCORPORATED. ALL RIGHTS RESERVED.</small> | | DWN C. OBERMAN 05/23/95 CHK S. STONE 5-25-95 BY S. STONE DATE 5-25-95 | AMP AMP Incorporated Harrisburg, PA 17105-3608 |
| DIMENSIONS: mm (INCHES) 0 RLC ±" 1 RLC ±" 2 RLC ±0.25 (1.010) 3 RLC ±0.250 (1.0100) 4 RLC ±" ANGLES ±" | TO BE MADE TO ORDER DIMENSIONS SPECIFIED APPLICATION SPEC REWORK | NAME PART NUMBER PRODUCT SPEC SIZE CASE CODE DRAWING NO. | RECEPTACLE, ARR 17-10M, REVERSE SEX, SERIES 4, CLASS A, FREE-HANGING, CPC A2 00779 ©-213129 |
| MATERIAL: NYLON, BLACK FINISH: | CUSTOMER DRAWING | SCALE: 2:1 SHEET: 1 OF 1 REV: E | |

213129