

4

3

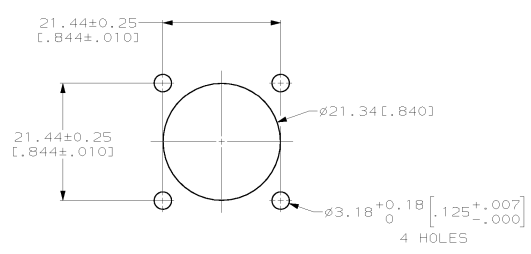
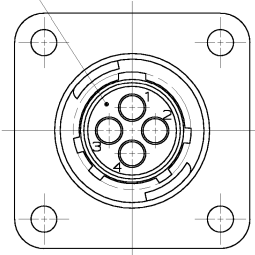
2

1

THIS DRAWING IS UNPUBLISHED. RELEASED FOR PUBLICATION. (C) COPYRIGHT IS BY AMP INCORPORATED. ALL RIGHTS RESERVED.

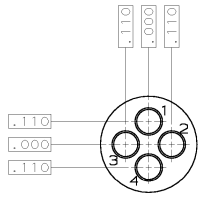
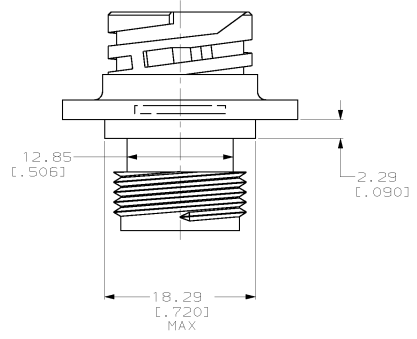
REV	DATE	DESCRIPTION	BY	CHKD	APPD
0					
A	21-JUN-00	REVISED PER EC 0638-0134-00	LM	MC	

MATING FACE



RECOMMENDED PANEL CUTOUT
SCALE: 2:1

- CONTACT CAVITIES IDENTIFIED BY CHARACTERS ON FRONT AND REAR FACES.
- THIS CONNECTOR WILL ACCEPT (4) MULTIMATE SOCKET CONTACTS.



CONFIGURATION OF MATING
FACE OF CONNECTOR
[IN INCHES]

211908-1
PART NUMBER

THIS DRAWING IS A CONTROLLED DOCUMENT.		DATE: 21-JUN-2000	AMP AMP Incorporated Harrisburg, PA 17105-3608
DRAWN BY: M. McEACHIN		DATE: 22-JUN-2000	
CHECKED BY: M. CHACKO		DATE: 22-JUN-2000	RECEPTACLE HOUSING, REVERSE SEX, SIZE 11-4, SERIES 1, CLASS A, CPC
PROJECT SPEC: -		APPLICATION SPEC: -	
MATERIAL: POLYESTER, GRAY		WEIGHT: -	RESTRICTED TO: -
FINISH: -		CUSTOMER DRAWING	SCALE: 3:1 SHEET 1 OF 1 REV A

211908
B

A