

4

3

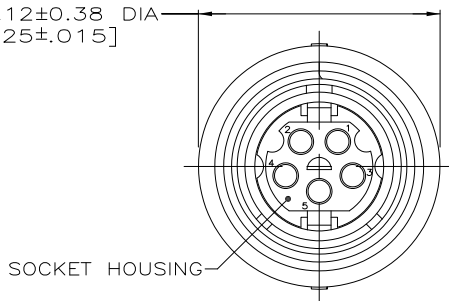
2

1

THIS DRAWING IS UNPUBLISHED. RELEASED FOR PUBLICATION  
 © COPYRIGHT - By - ALL RIGHTS RESERVED.

LOC	DIST	REVISIONS				
P	LTR	DESCRIPTION	DATE	DWN	APVD	
J2		REVISED PER ECO-11-005027	12MAR11	RK	HMR	

31.12±0.38 DIA  
 [1.225±.015]



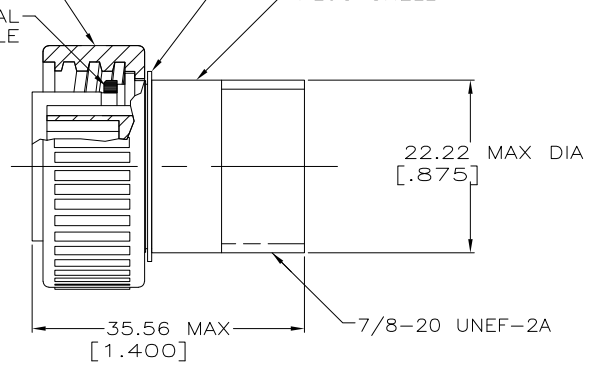
SOCKET HOUSING

COUPLING RING  
 (-1 AND -2 ONLY)

SEAL  
 SEE TABLE

RETAINER RING  
 (-1 AND -2 ONLY)

PLUG SHELL



22.22 MAX DIA  
 [.875]

35.56 MAX [1.400]  
 7/8-20 UNEF-2A

NOTES:

- THIS CONNECTOR ACCEPTS FIVE (5) SIZE 16 MULTIMATE SOCKET CONTACTS, MAXIMUM WIRE INSULATION DIA = 3.43[.135].
- THIS CONNECTOR MATES WITH AMP P/N 208719-1.
- AMP P/N AND DATE CODE TO BE LOCATED ON COUPLING RING.

- ④ NICKEL PER QQ-N-290 OVER COPPER PER MIL-C-14550.
- ⑤ ZINC PER QQ-Z-363.
- ⑥ OBSOLETE PARTS: OBSOLETE CIS STREAMLINING PER D.RENAUD/D.SINISI

⑥ OBSOLETE	NO	NO	NO	208718-3
	YES	YES	YES	208718-2
	YES	YES	NO	208718-1
RETAINER RING	COUPLING RING	SEAL	PART NUMBER	

THIS DRAWING IS A CONTROLLED DOCUMENT.

DIMENSIONS: INCHES	TOLERANCES UNLESS OTHERWISE SPECIFIED:	DWN: D.HARDY 05/23/94	TE Connectivity	
0 PLC ± -	1 PLC ± -	CHK: R.STONE 05/26/94	NAME: PLUG ASSEMBLY, STANDARD SEX, SERIES 1, 14-5, CMC	
2 PLC ± -	3 PLC ± -	APVD: -	SIZE: A3	CAGE CODE: 00779
4 PLC ± -	ANGLES ± -	PRODUCT SPEC: -	DRAWING NO: C-208718	RESTRICTED TO: -
MATERIAL: SKT HOUSING: THERMOPLASTIC, BLACK		APPLICATION SPEC: -	WEIGHT: -	CUSTOMER DRAWING
FINISH: SEAL: FLUOROCARBON, ELASTOMER		FINISH: RING: STAINLESS STEEL	SCALE: 2:1	SHEET 1 OF 1
CPLG RING: △ PLUG SHELL: △		REV: J2		